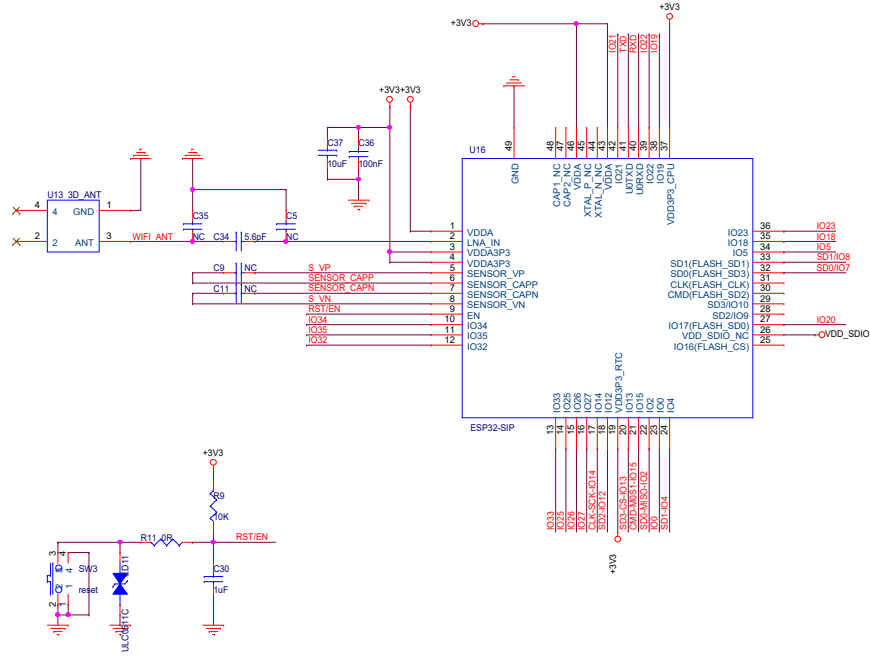
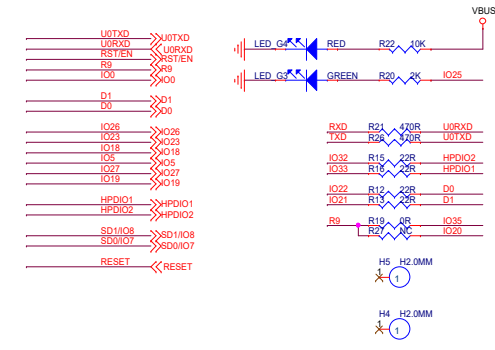


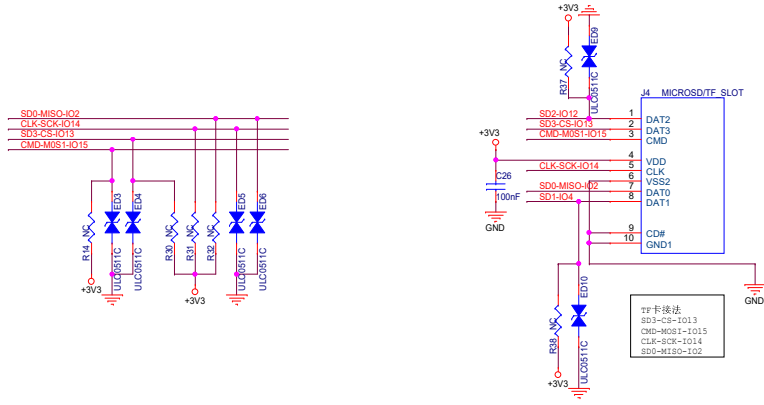
Core



LED

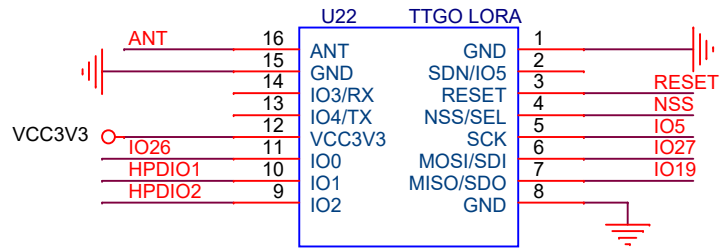


SD CARD

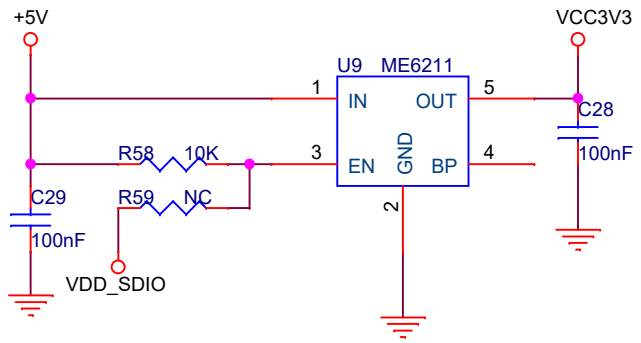
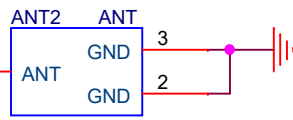
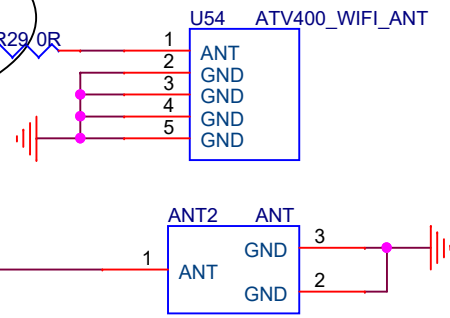
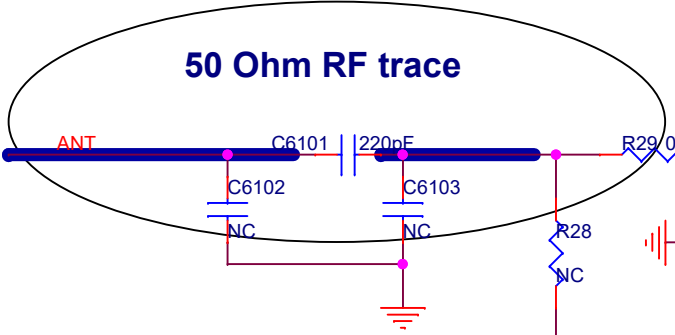
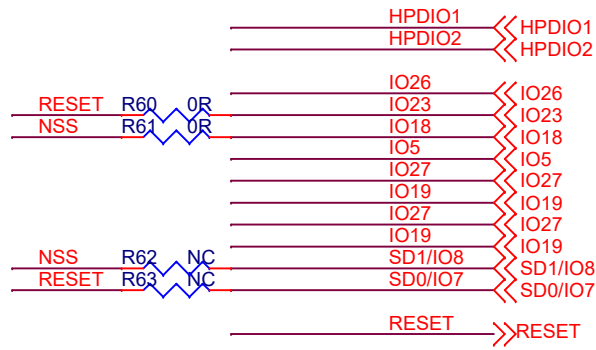


Connector



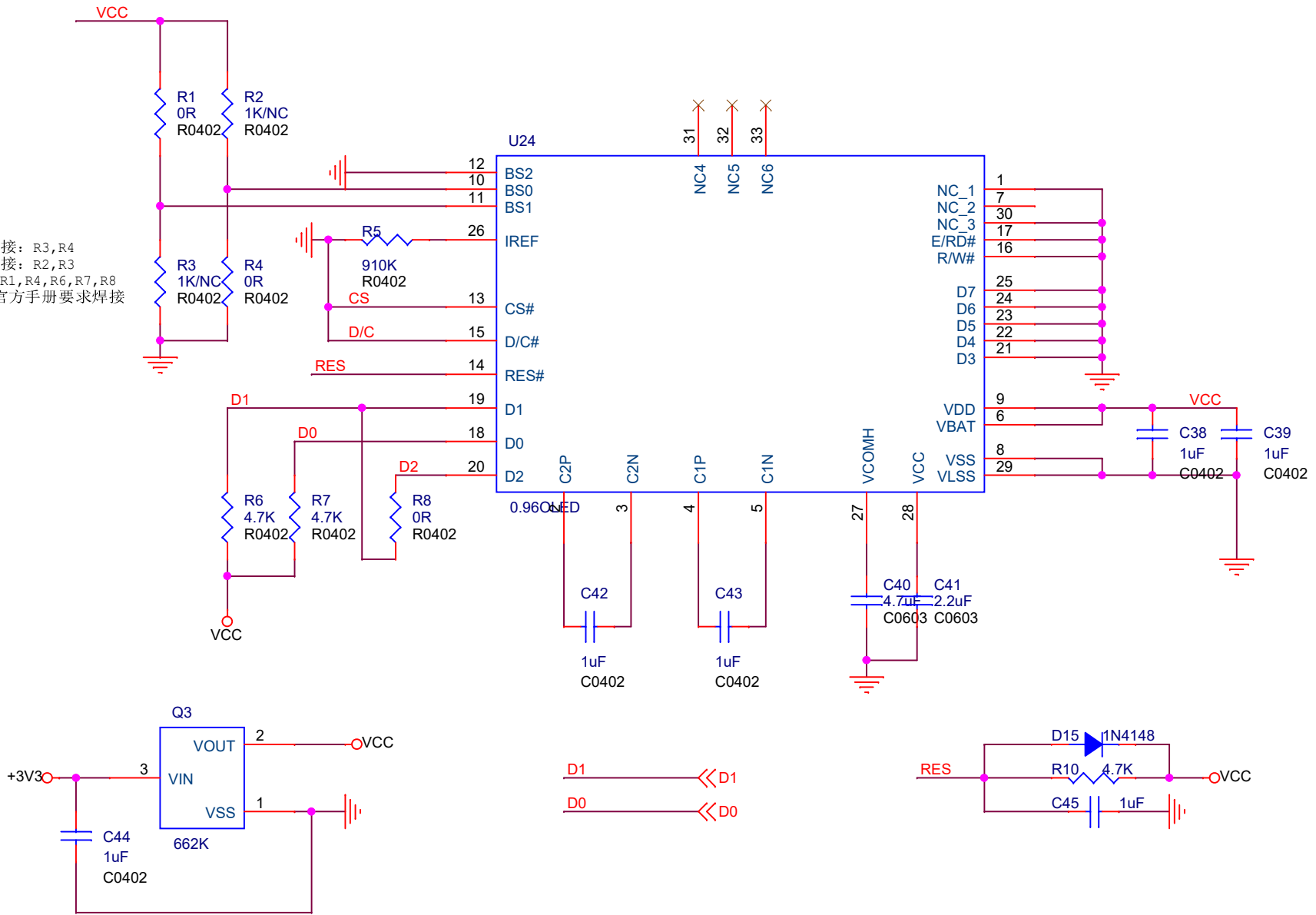


IO23=RESET
 IO18=NSS/SEL
 IO5=SCK
 IO27=MOSI/SDI
 IO19=MISO/SDO
 IO26=DI0/IO0



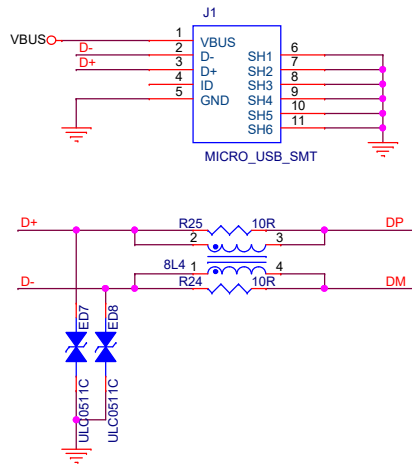
Title		
T3_V1.6		
Size	Document Number	Rev
A	TTGO LORA	V1.6
Date:	Wednesday, January 06, 2021	Sheet 2 of 4

接口配置方法：
 四线SPI接口焊接：R3,R4
 三线SPI接口焊接：R2,R3
 IIC接口焊接：R1,R4,R6,R7,R8
 R8 可不焊接,官方手册要求焊接

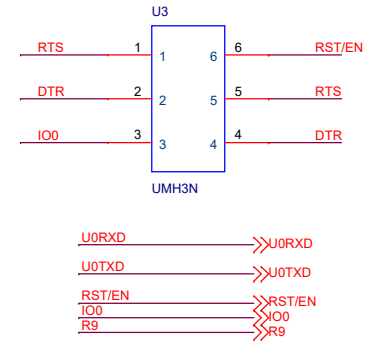
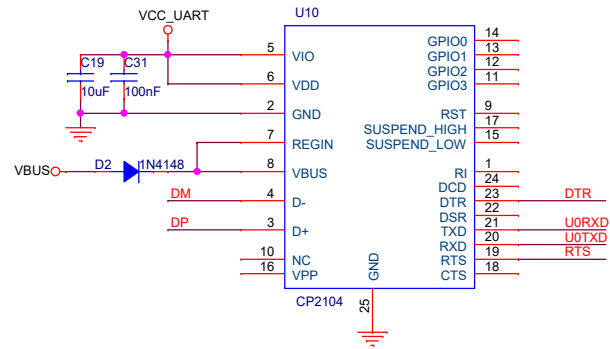


Title		
T3_V1.6		
Size	Document Number	Rev
A	OLED	V1.6
Date:	Wednesday, January 06, 2021	Sheet 3 of 4

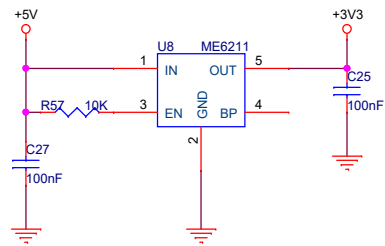
USB



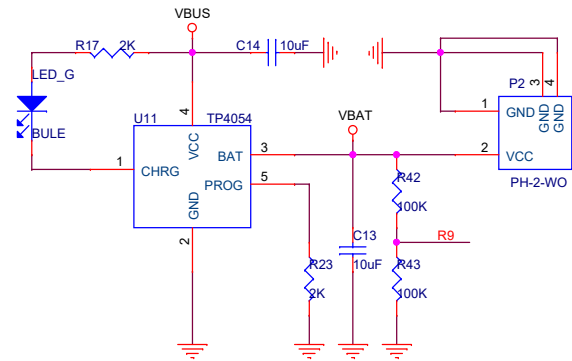
UART



LDO



Battery



Title		
T3_V1.6		
Size	Document Number	Rev
B	POWER	V1.6
Date:	Wednesday, January 06, 2021	Sheet 4 of 4