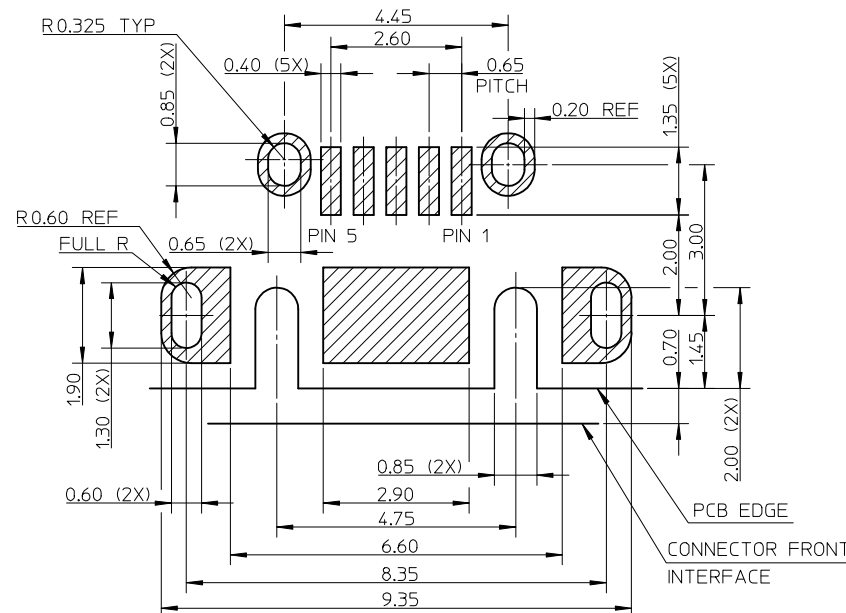
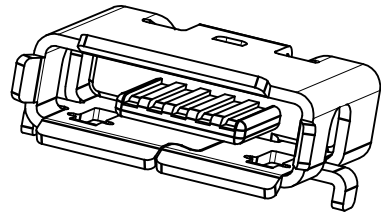
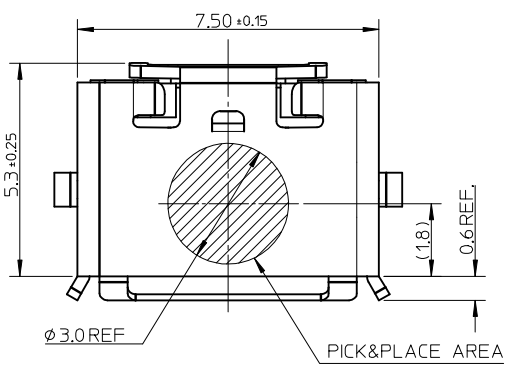
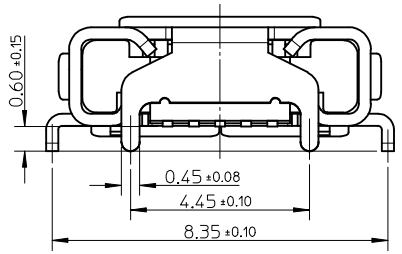
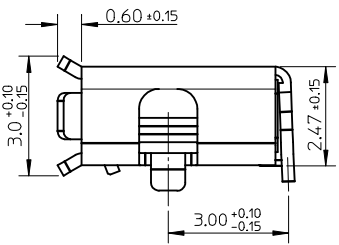
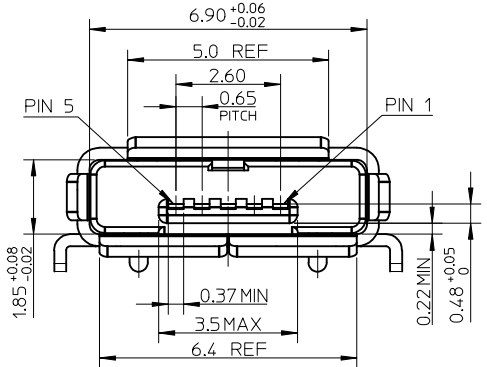


10 9 8 7 6 5 4 3 2 1



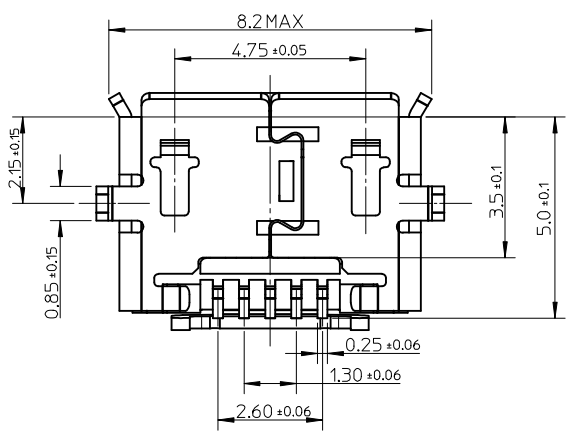
RECOMMENDED P.C.B. PATTERN LAYOUT
GENERAL TOLERANCE: ±0.05



NOTES:

- MATERIAL:
HOUSING: LCP, BLACK, UL94V-0;
TERMINAL: COPPER ALLOY, THICKNESS: 0.15mm
SHELL: STAINLESS STEEL, THICKNESS: 0.30mm
- PLATING:
TERMINAL: CONTACT AREA: GOLD FLASH (0.11 MICRON MINIMUM) OVER MINIMUM 0.75 MICRON Pd/Ni.
SOLDER TAIL AREA: GOLD FLASH (0.05 MICRON MINIMUM).
UNDER PLATING: NICKEL 2.0 MICRON MINIMUM.
SHELL: MATTE TIN 1.27 MICRON MINIMUM.
UNDER PLATING: NICKEL 1.27 MICRON MINIMUM.
- TAIL COPLANARITY 0.08mm MAXIMUM.
- PRODUCT SPECIFICATION: PS-47589-001.
- PACKAGING SPECIFICATION: PK-47589-001.
- COMPLIANT TO RoHS DIRECTIVE 2002/95/EC AND ELV 2000/53/EC.

5	GND
4	ID
3	D+
2	D-
1	VBUS
PIN	NAME
PIN ASSIGNMENT	



REVISE PCB LAYOUT	QUALITY SYMBOLS
EC NO: SH2014-0449	▽=0
DRWN:XOZHANG 2014/04/24	▽=0
CHKD:XOZHANG 2014/04/24	▽=0
APPR:AYIN 2014/06/06	
REV	

GENERAL TOLERANCES (UNLESS SPECIFIED)	
mm	INCH
4 PLACES ± ---	± ---
3 PLACES ± ---	± ---
2 PLACES ± 0.15	± ---
1 PLACE ± 0.25	± ---
0 PLACE ±	±
ANGULAR ± 3°	
DRAFT WHERE APPLICABLE MUST REMAIN WITHIN DIMENSIONS	

DIMENSION STYLE	
MM ONLY	
DRAWN BY	DATE
XJSONG	2007/03/15
CHECKED BY	DATE
JTIAN	2007/03/15
APPROVED BY	DATE
JNCHEN	2007/03/15
MATERIAL NO.	
47590-0001	
SIZE	
A3	

SCALE	DESIGN UNITS	THIRD ANGLE PROJECTION	
1:1	METRIC	☉	
TITLE			
SALES DRAWING FOR USB, MICRO-AB TOP MOUNT TYPE			
molex			
DOCUMENT NO.		SHEET NO.	
SD-47590-001		1 OF 1	
THIS DRAWING CONTAINS INFORMATION THAT IS PROPRIETARY TO MOLEX INCORPORATED AND SHOULD NOT BE USED WITHOUT WRITTEN PERMISSION			

9 8 7 6 5 4 3 2 1