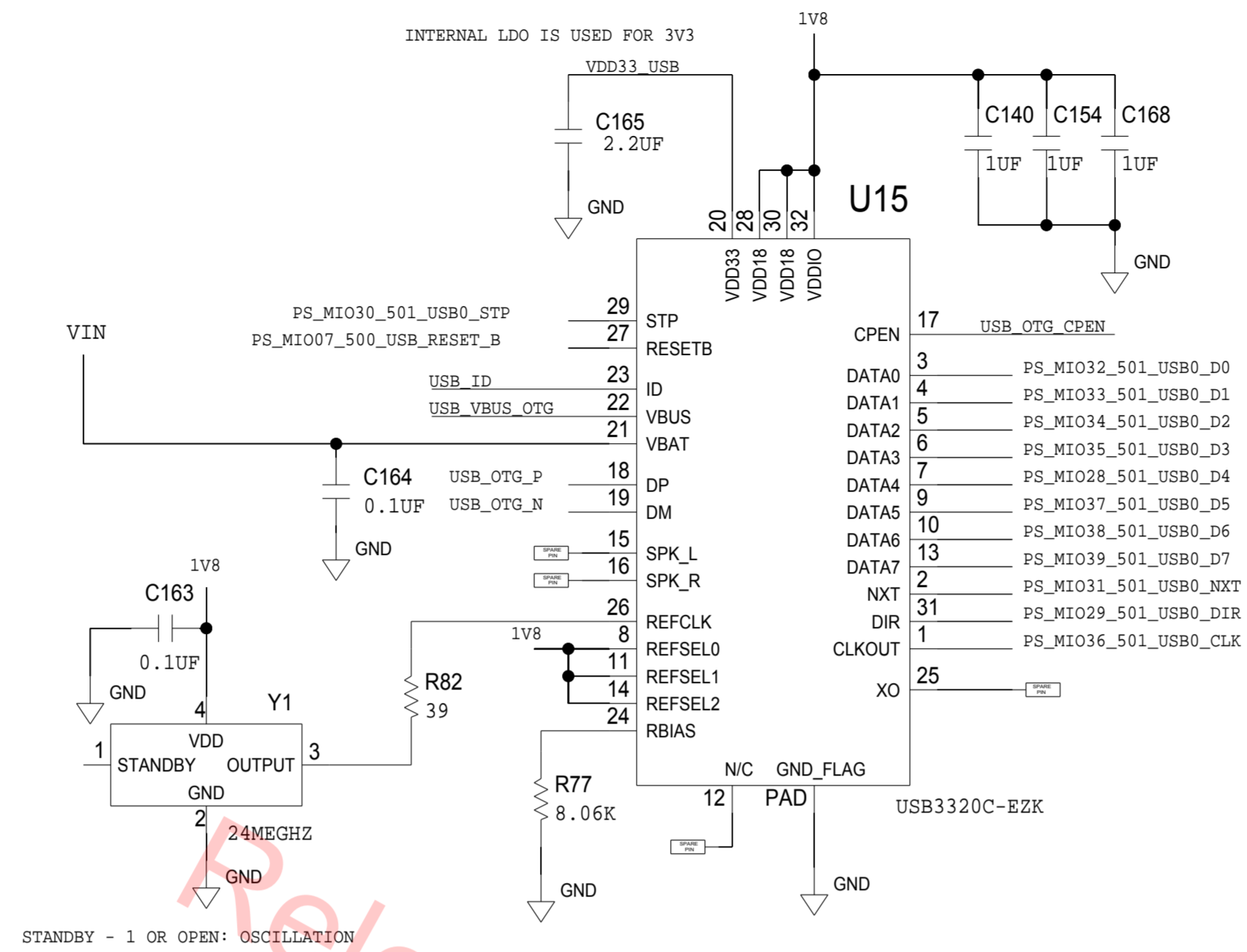
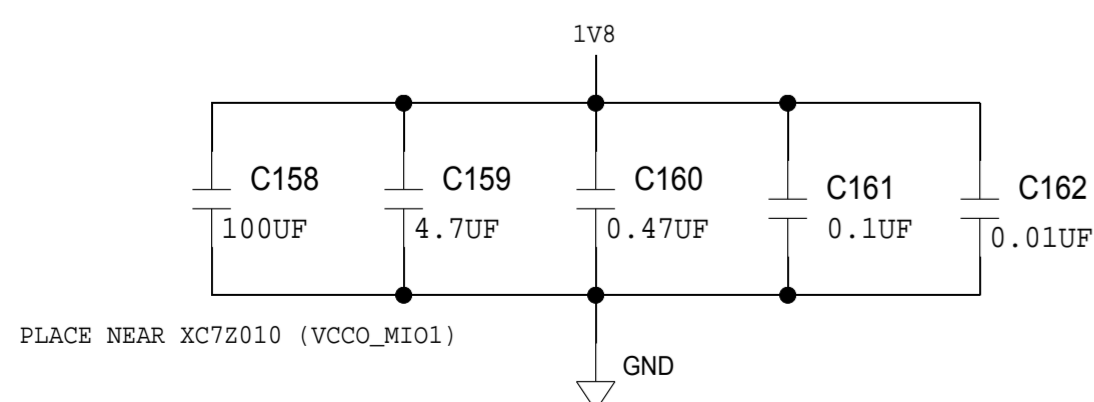
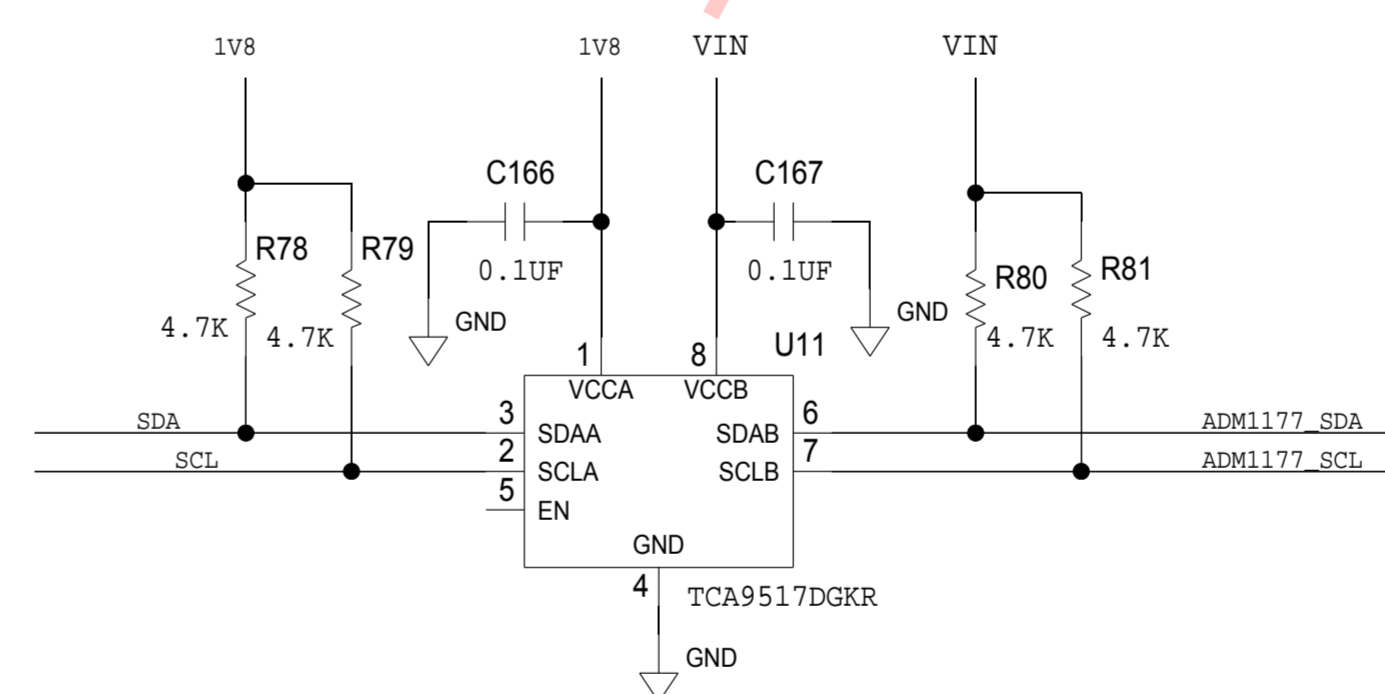
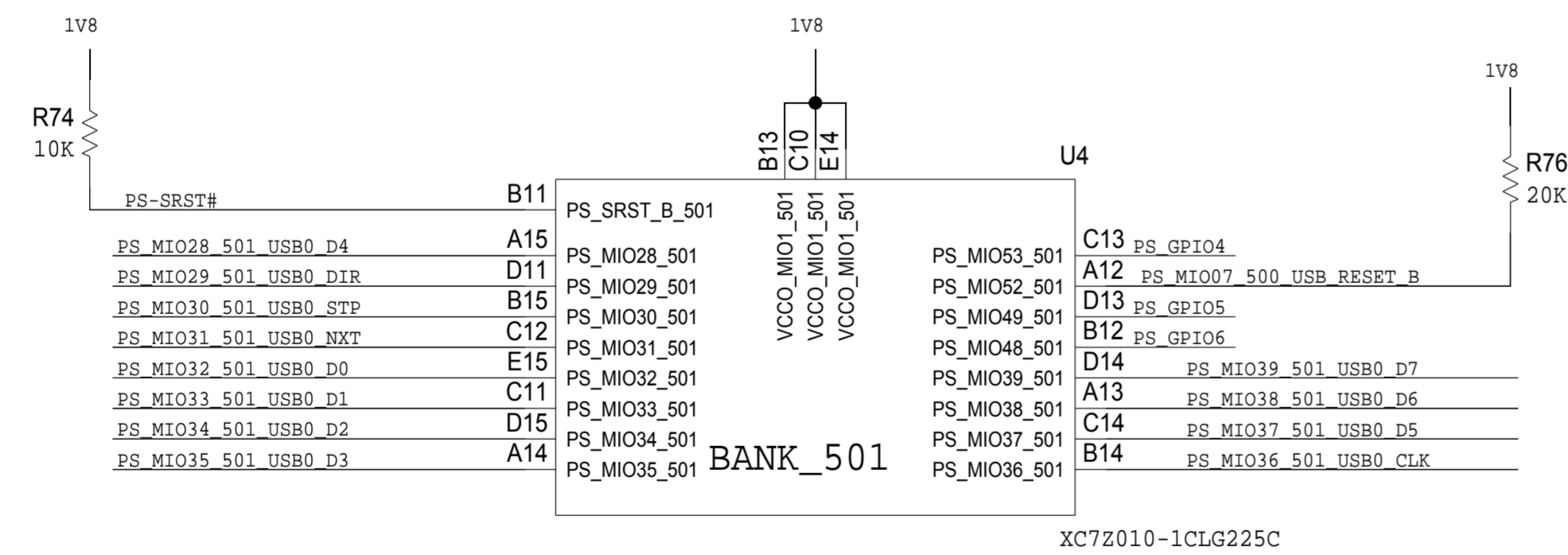


REVISIONS			
REV	DESCRIPTION	DATE	APPROVED

USB PHY



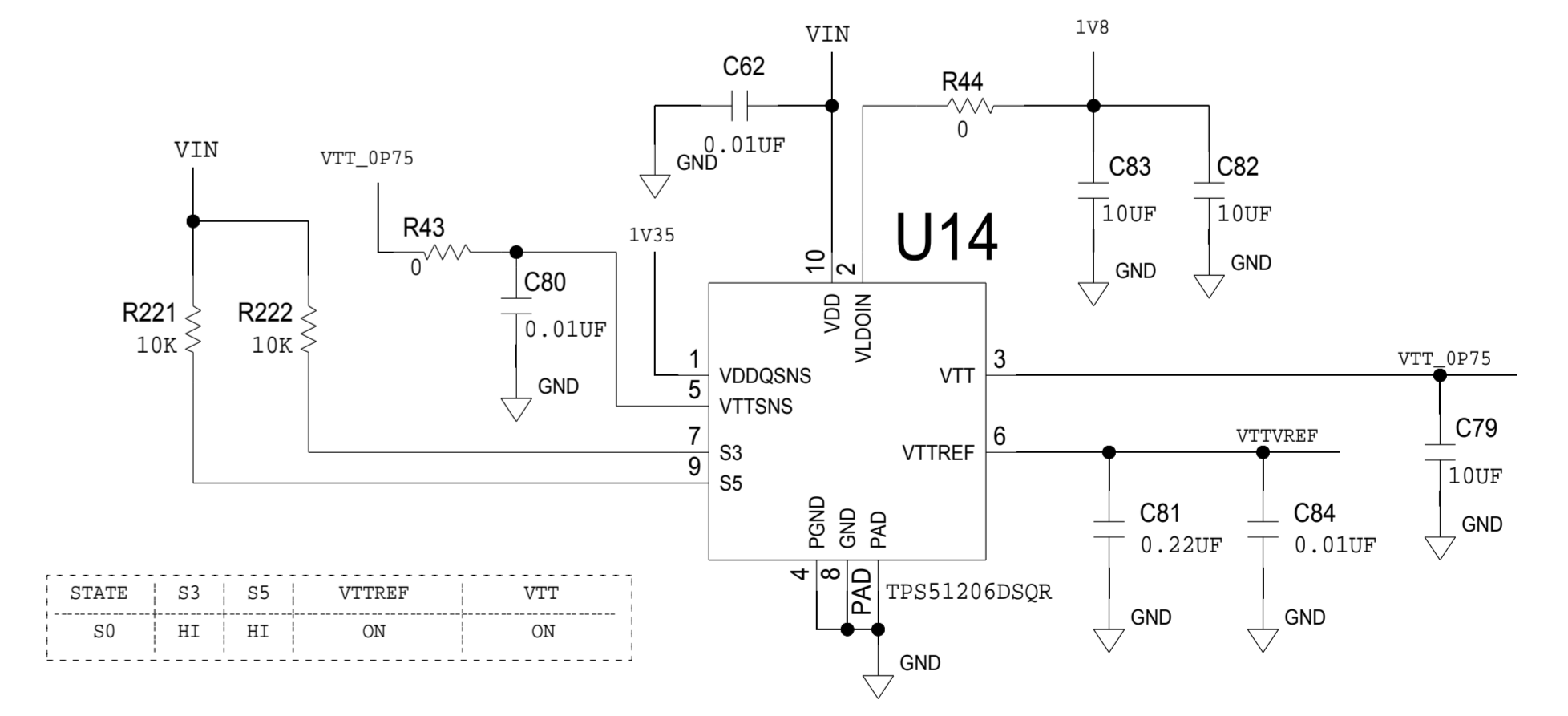
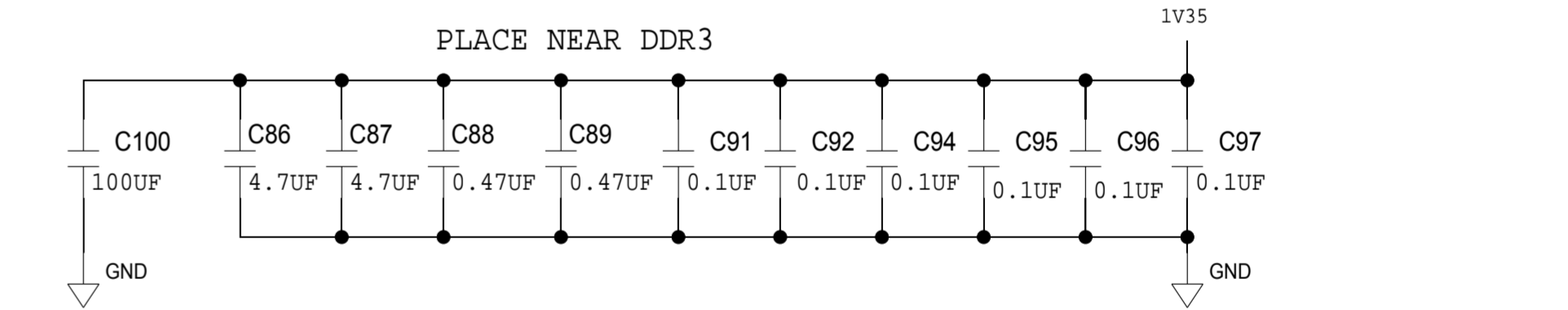
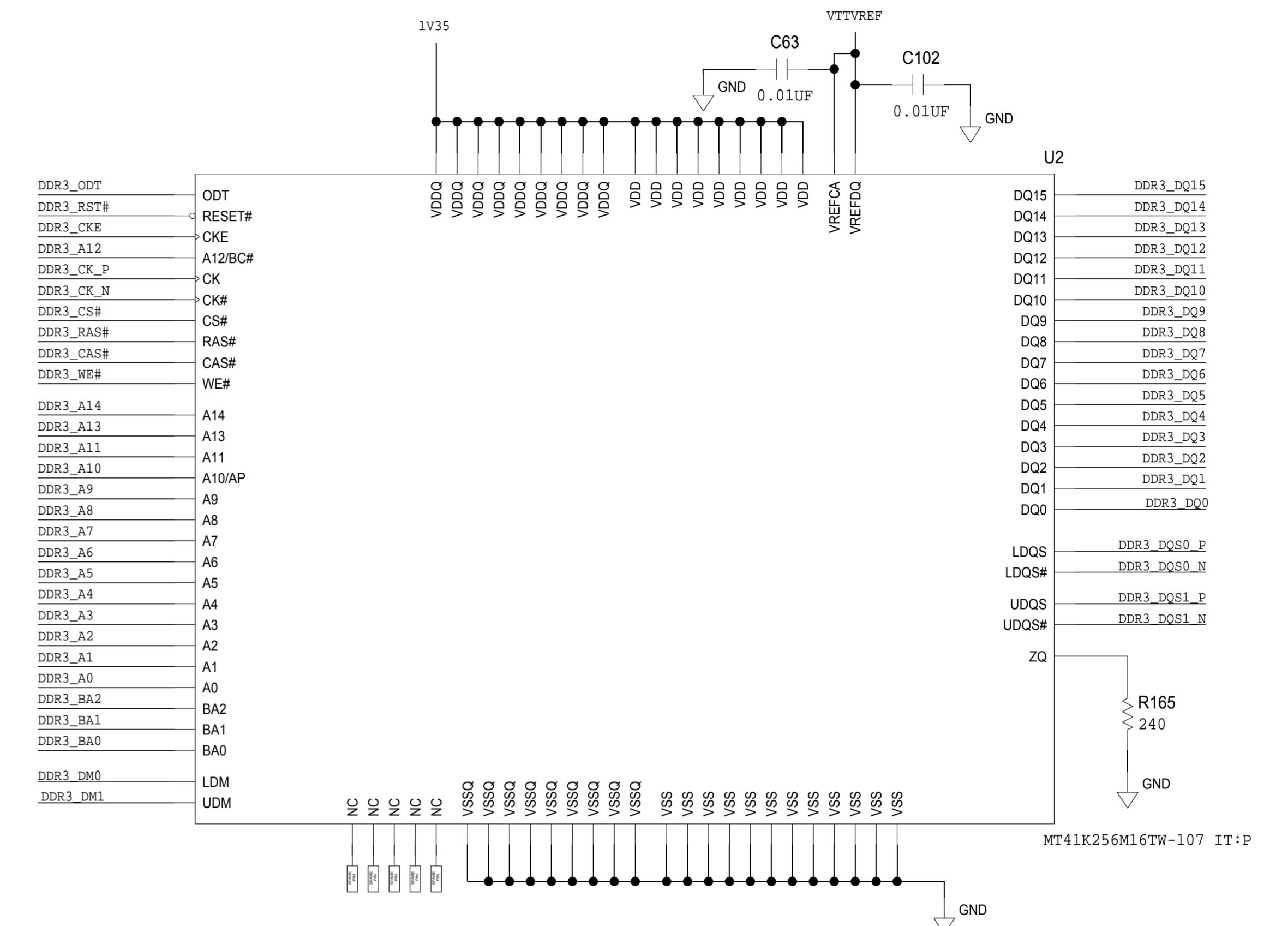
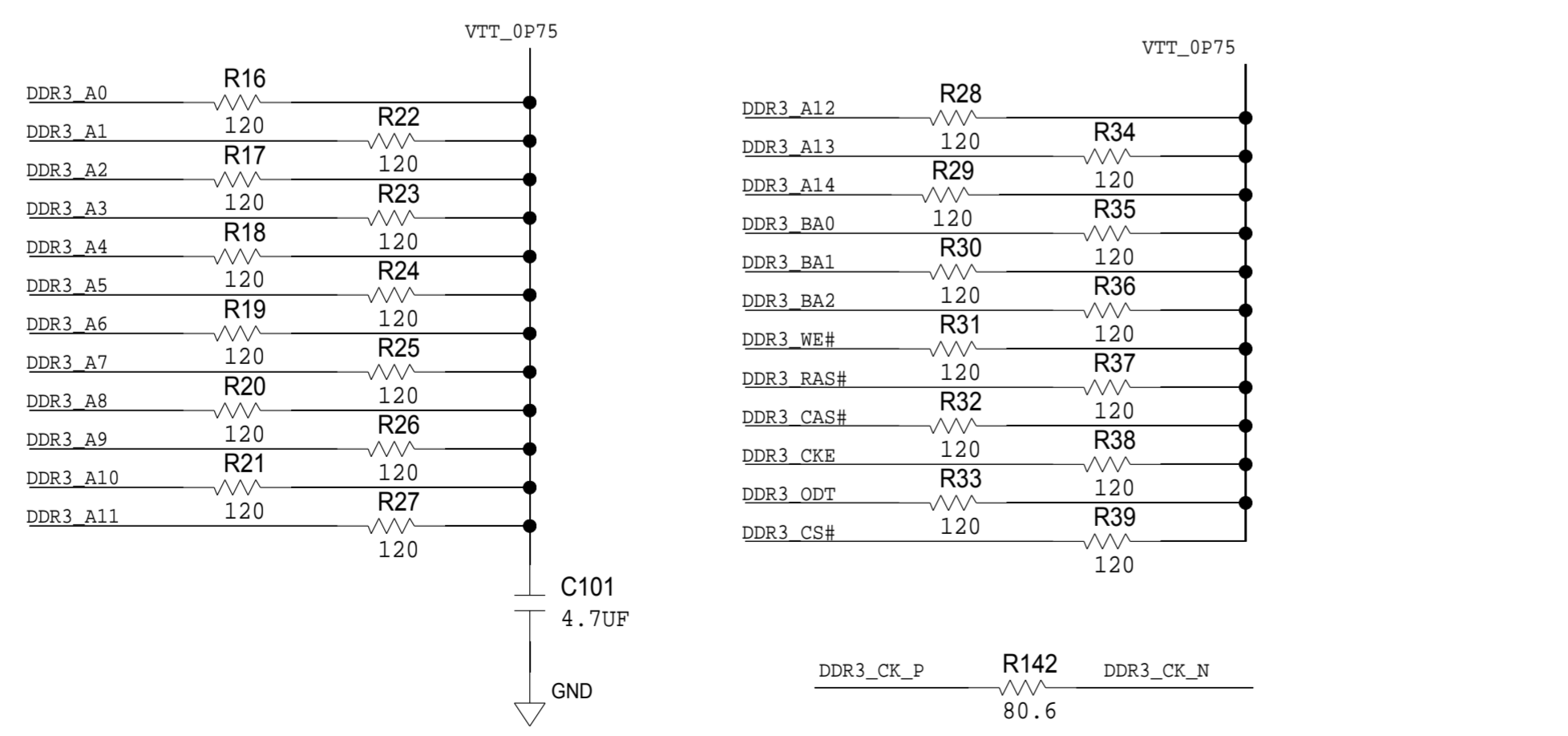
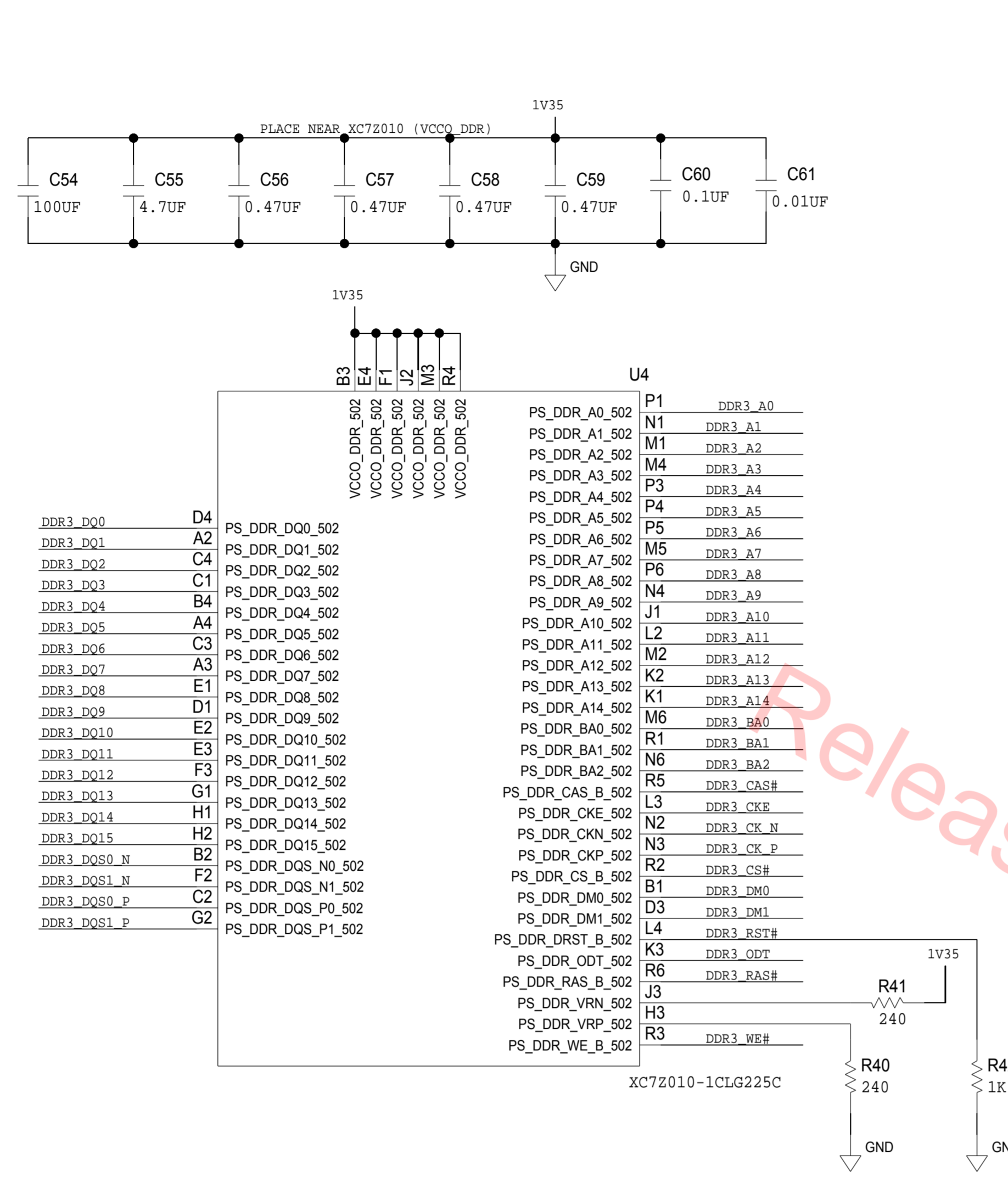
ZYNQ BANK 501



ANALOG DEVICES		SCHEMATIC	
<small>THIS DRAWING IS THE PROPERTY OF ANALOG DEVICES INC. IT IS NOT TO BE REPRODUCED OR COPIED, IN WHOLE OR IN PART, OR USED FOR ANY OTHER PURPOSE WITHOUT THE WRITTEN PERMISSION OF ANALOG DEVICES. THE EQUIPMENT SHOWN HEREIN MAY BE PROTECTED BY PATENTS OWNED OR CONTROLLED BY ANALOG DEVICES.</small>		HW TYPE : Customer Evaluation Z Product(s) : ad9363 : NA	REV B
DESIGN VIEW <DESIGN_VIEW>	DRAWING NO. 02_043758	SHEET 2 OF 9	SCALE 1:1
PTD ENGINEER M. BANCISOR	SIZE D	SHEET 2 OF 9	SCALE 1:1

DDR 3

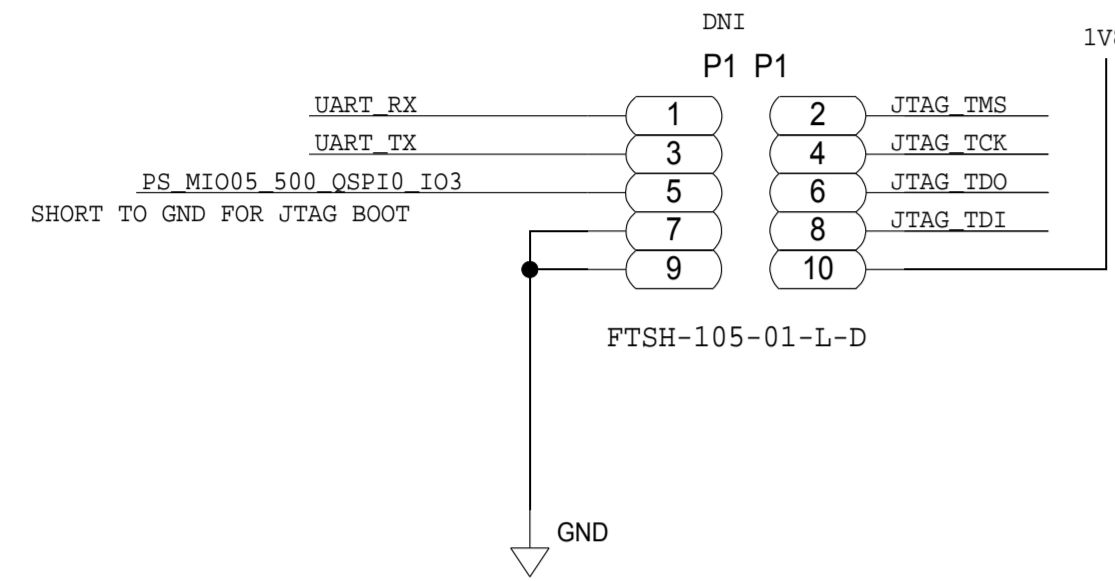
REVISIONS			
REV	DESCRIPTION	DATE	APPROVED



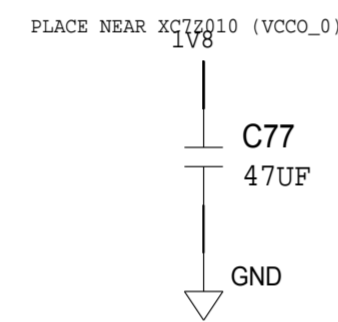
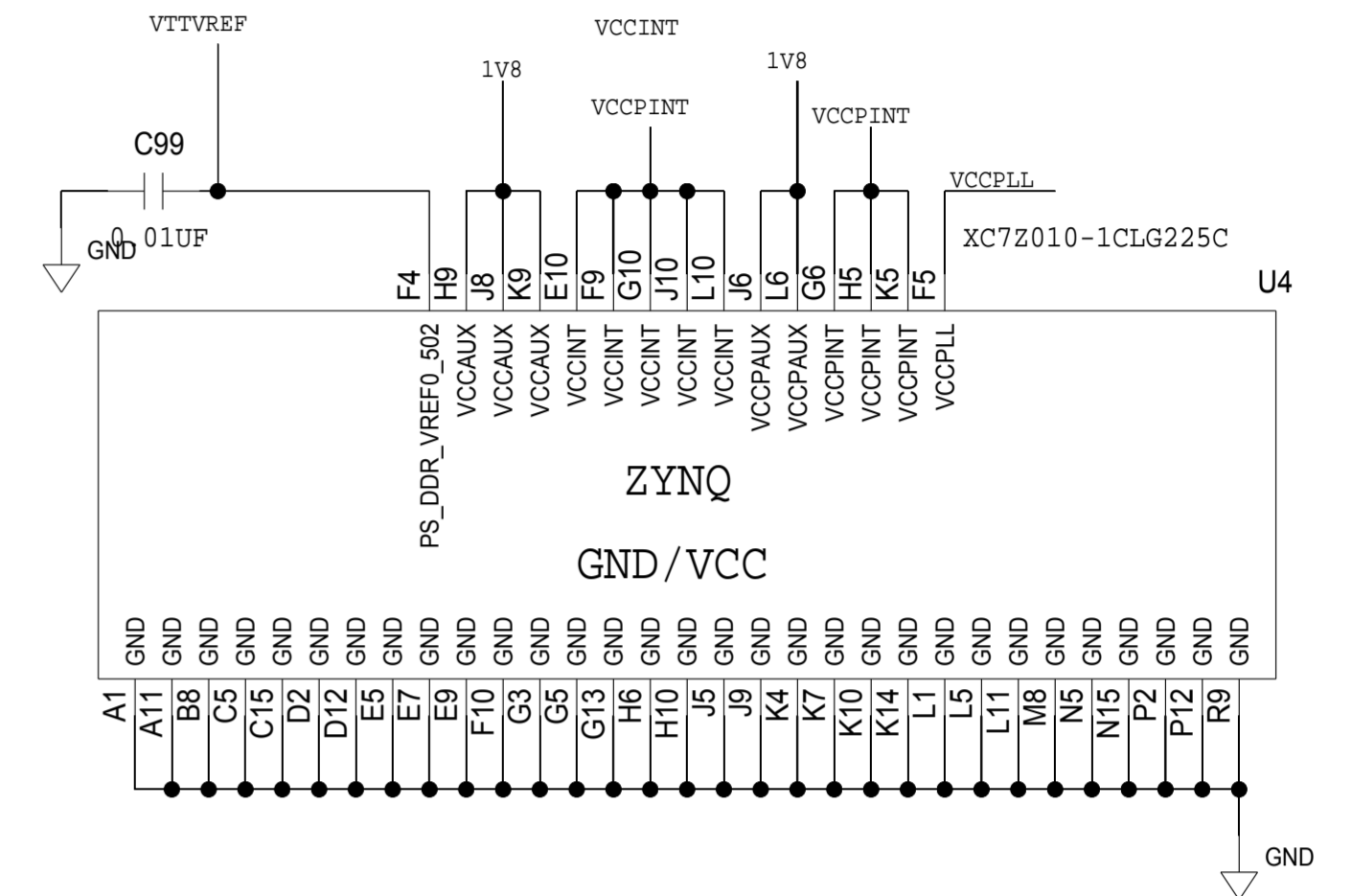
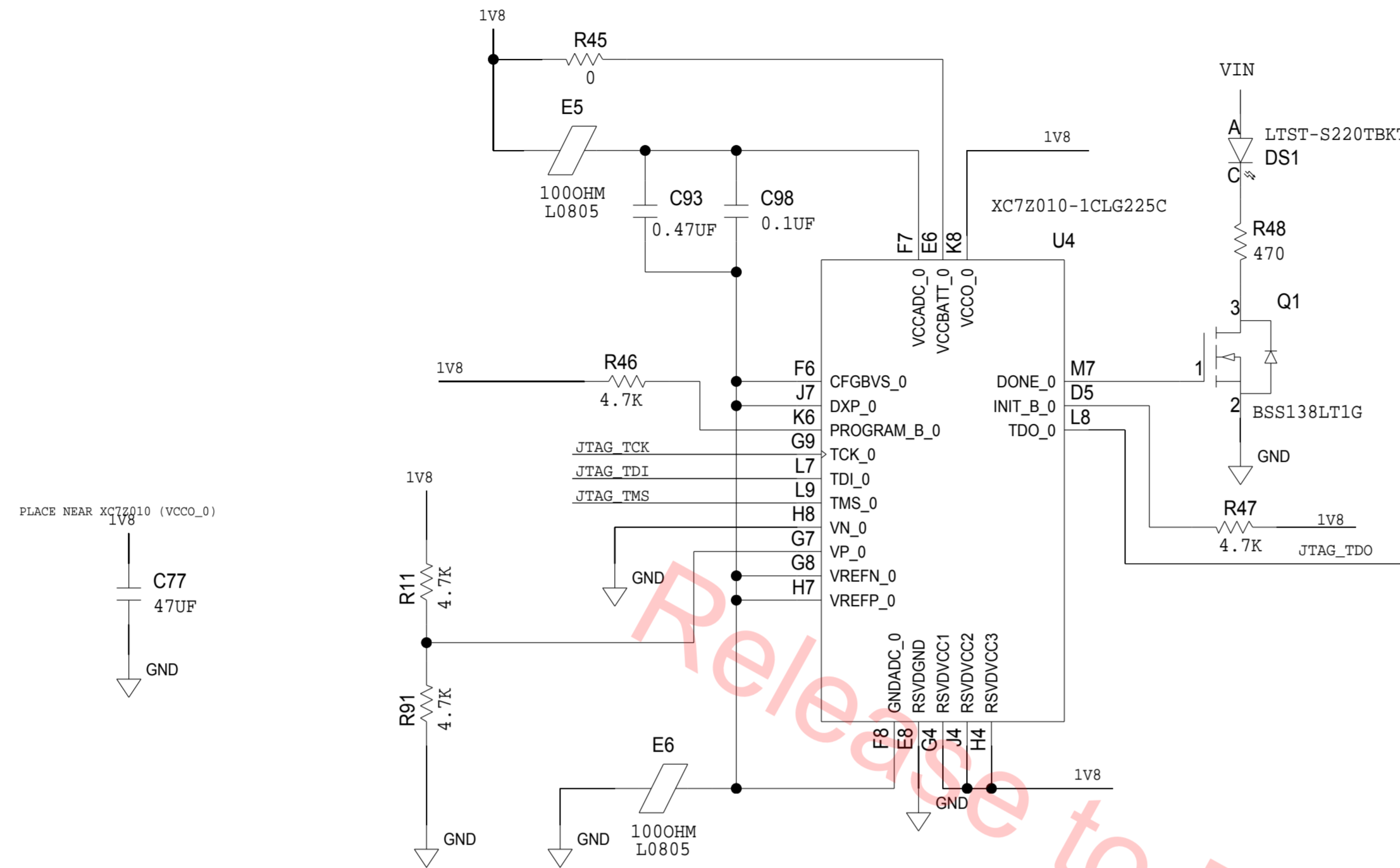
SCHEMATIC			
ANALOG DEVICES		HW TYPE : Customer Evaluation Z Product(s): ad9363 : NA	
DESIGN VIEW <DESIGN_VIEW>	DRAWING NO. 02_043758	REV B	REV B
PTD ENGINEER M. BANCISOR	SIZE D	SCALE 1:1	SHEET 4 OF 9

REVISIONS			
REV	DESCRIPTION	DATE	APPROVED

0.05 PITCH JTAG AND UART CONNECTOR

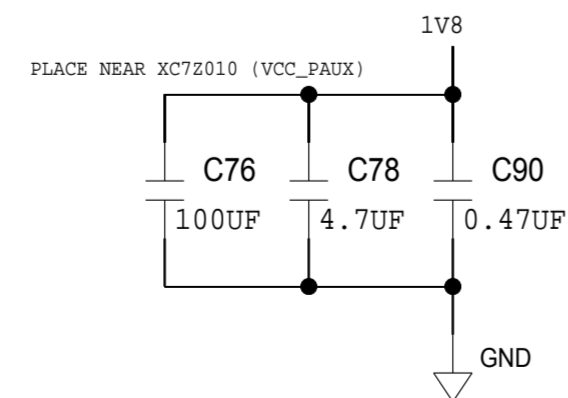
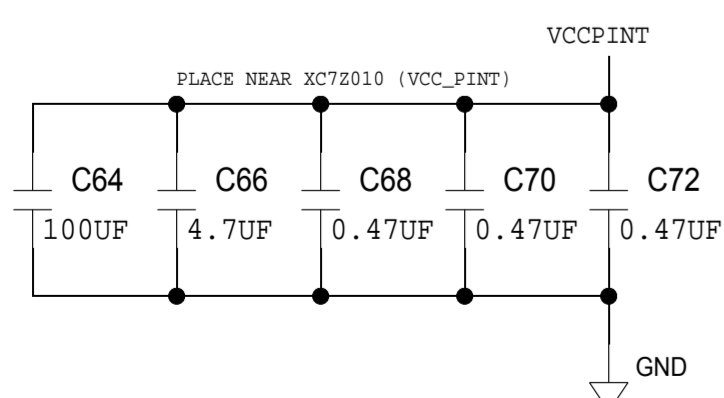
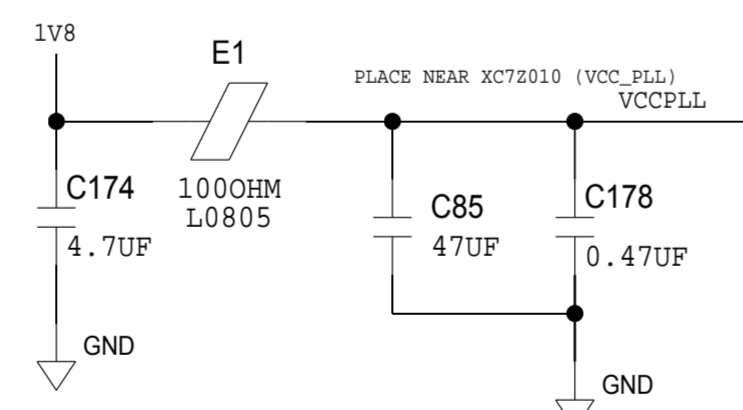
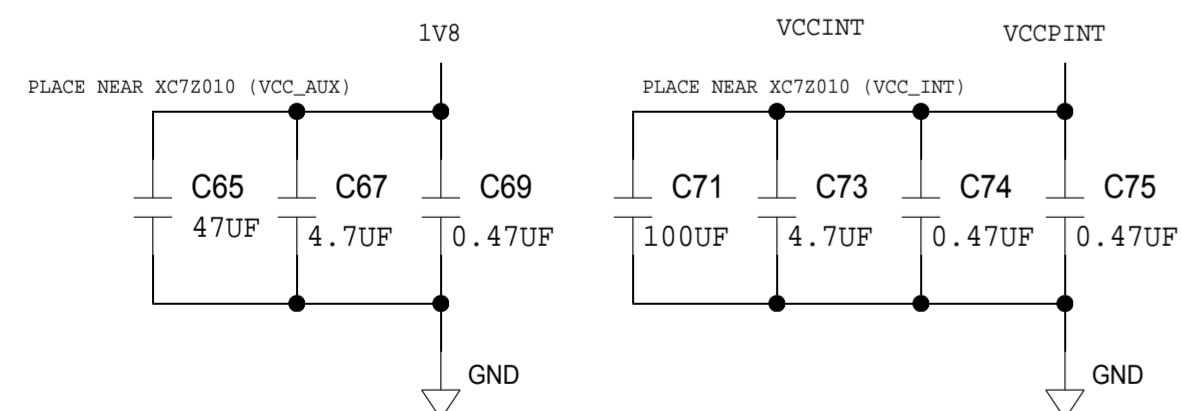
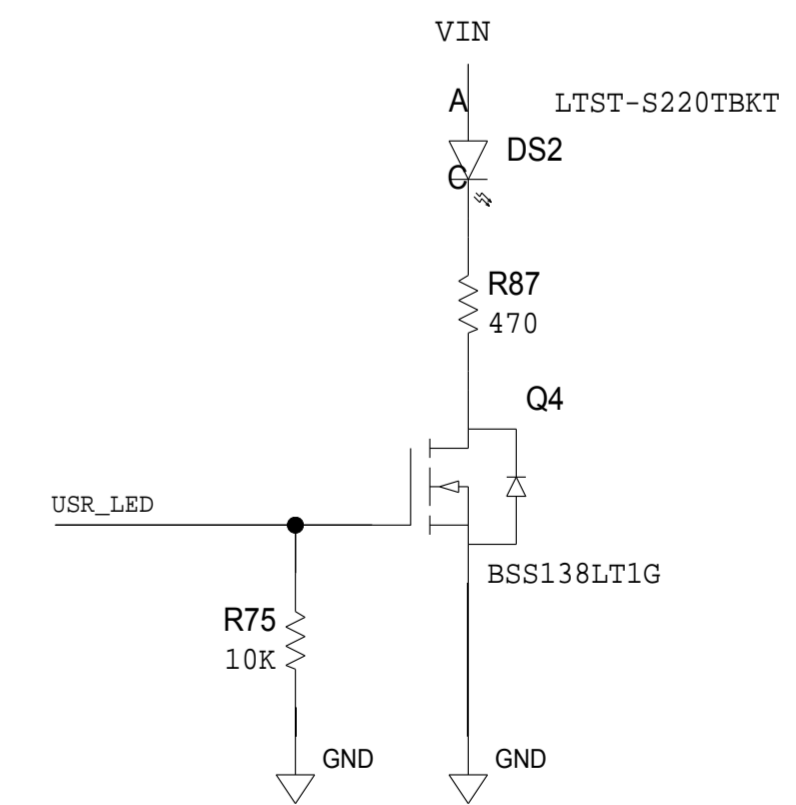


ZYNQ BANK 0



Release to Production

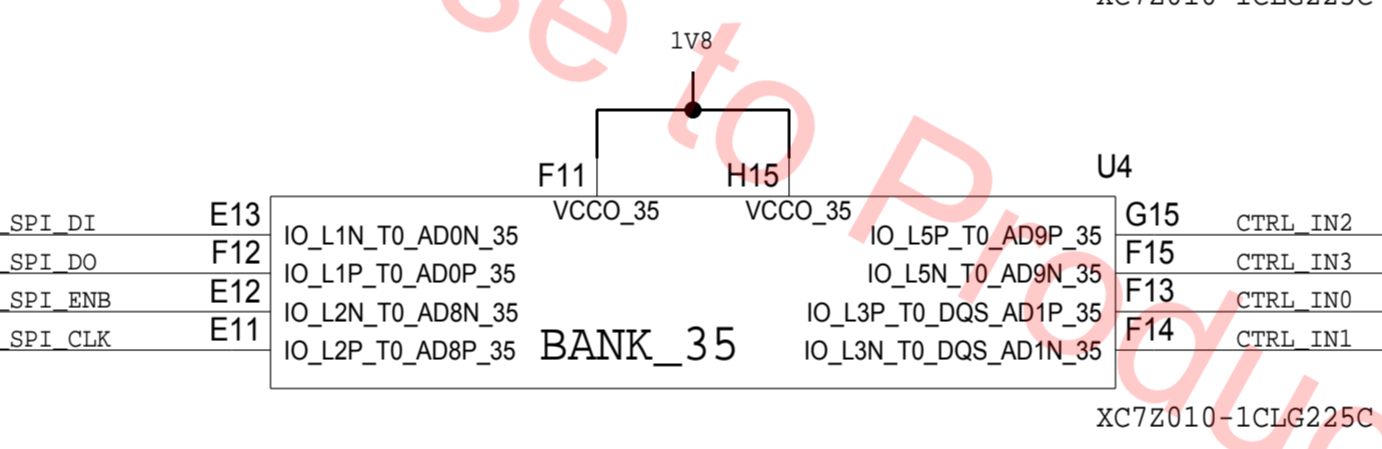
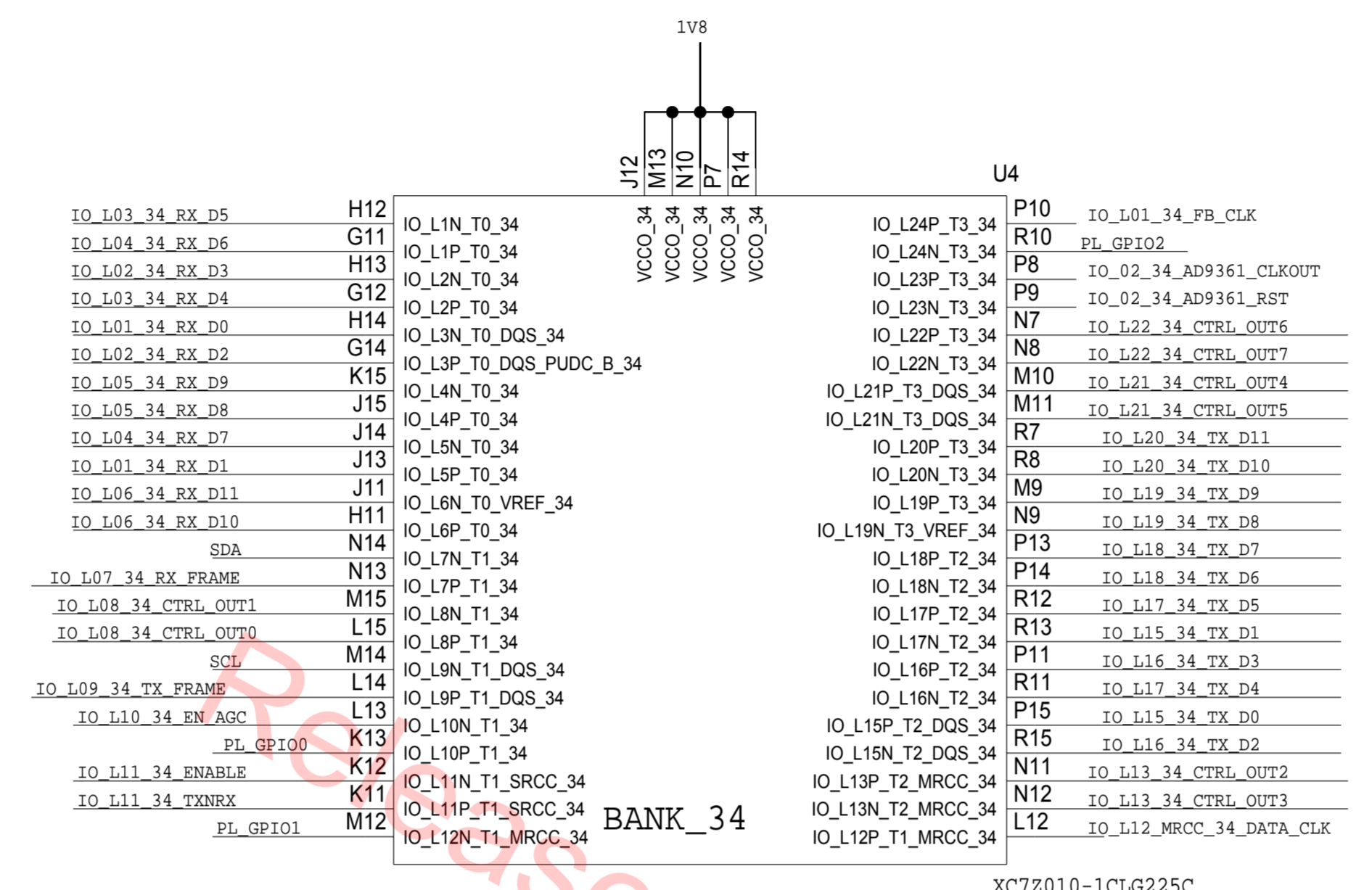
USER LED



ANALOG DEVICES				SCHEMATIC			
HW TYPE : Customer Evaluation Z		Product(s) : ad9363		DRAWING NO. 02_043758		REV B	
DESIGN VIEW <DESIGN_VIEW>		PTD ENGINEER M. BANCISOR		SIZE D		SCALE 1:1	
SHEET 5		OF 9		THE EQUIPMENT SHOWN HEREIN MAY BE PROTECTED BY PATENTS OWNED OR CONTROLLED BY ANALOG DEVICES.			

REVISIONS			
REV	DESCRIPTION	DATE	APPROVED

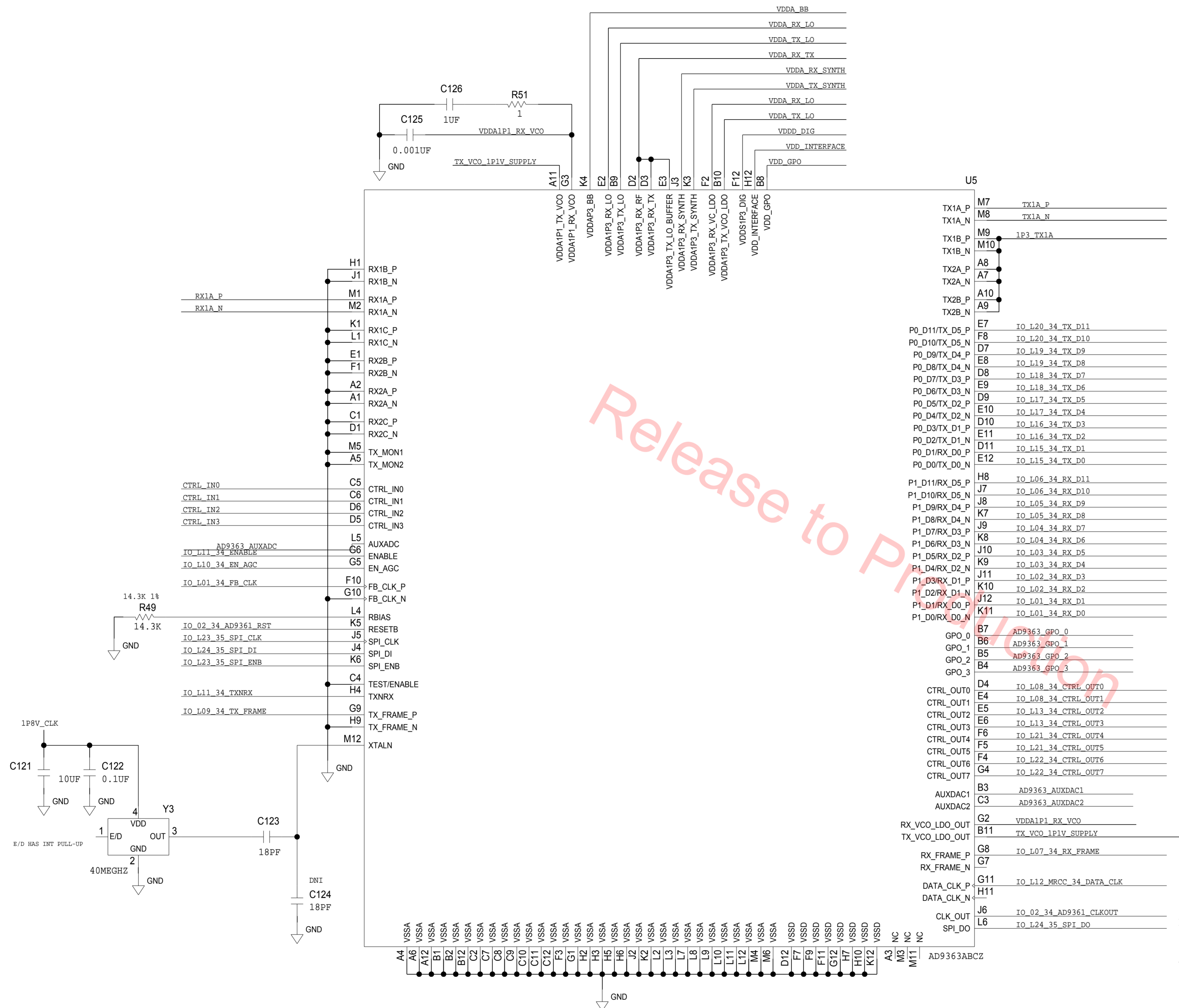
ZYNQ BANK 34,35



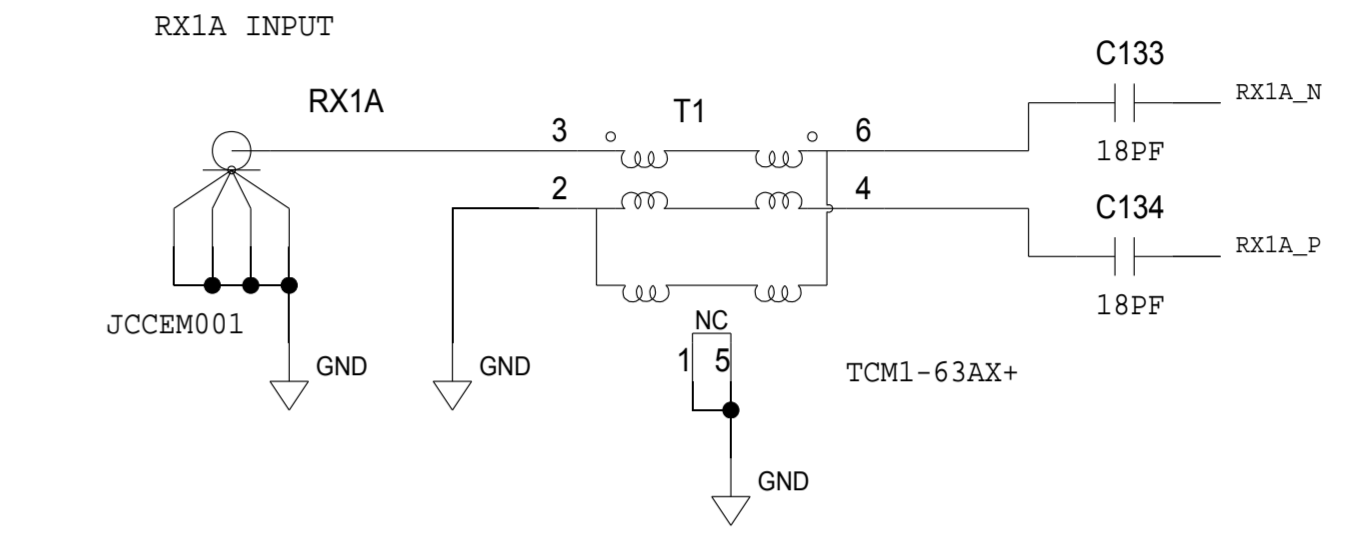
	SCHEMATIC		
	HW TYPE : Customer Evaluation Z Product(s): ad9363 : NA		
DESIGN VIEW <DESIGN_VIEW>	DRAWING NO. 02_043758	REV B	
PTD ENGINEER M. BANCISOR	SIZE D	SCALE 1:1	SHEET 6 OF 9

AD9363

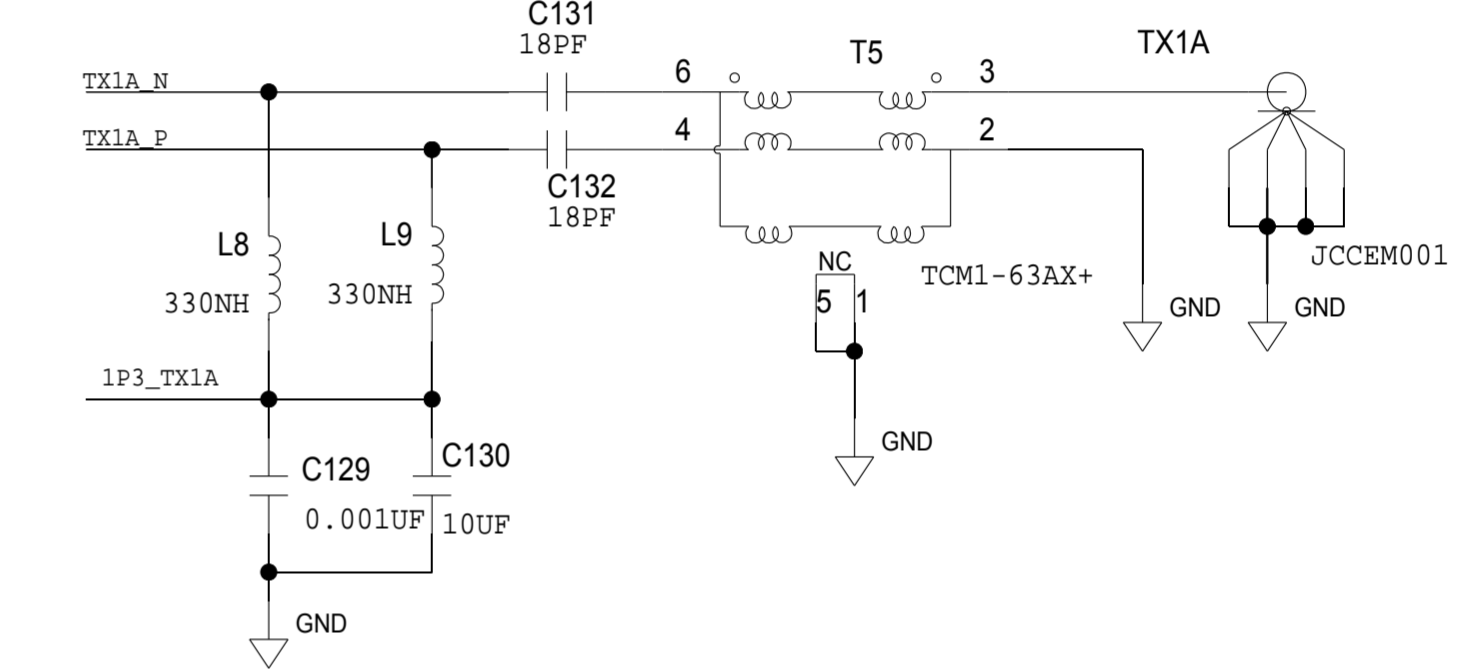
REVISIONS			
REV	DESCRIPTION	DATE	APPROVED



RX SMA CONNECTOR



TX SMA CONNECTOR



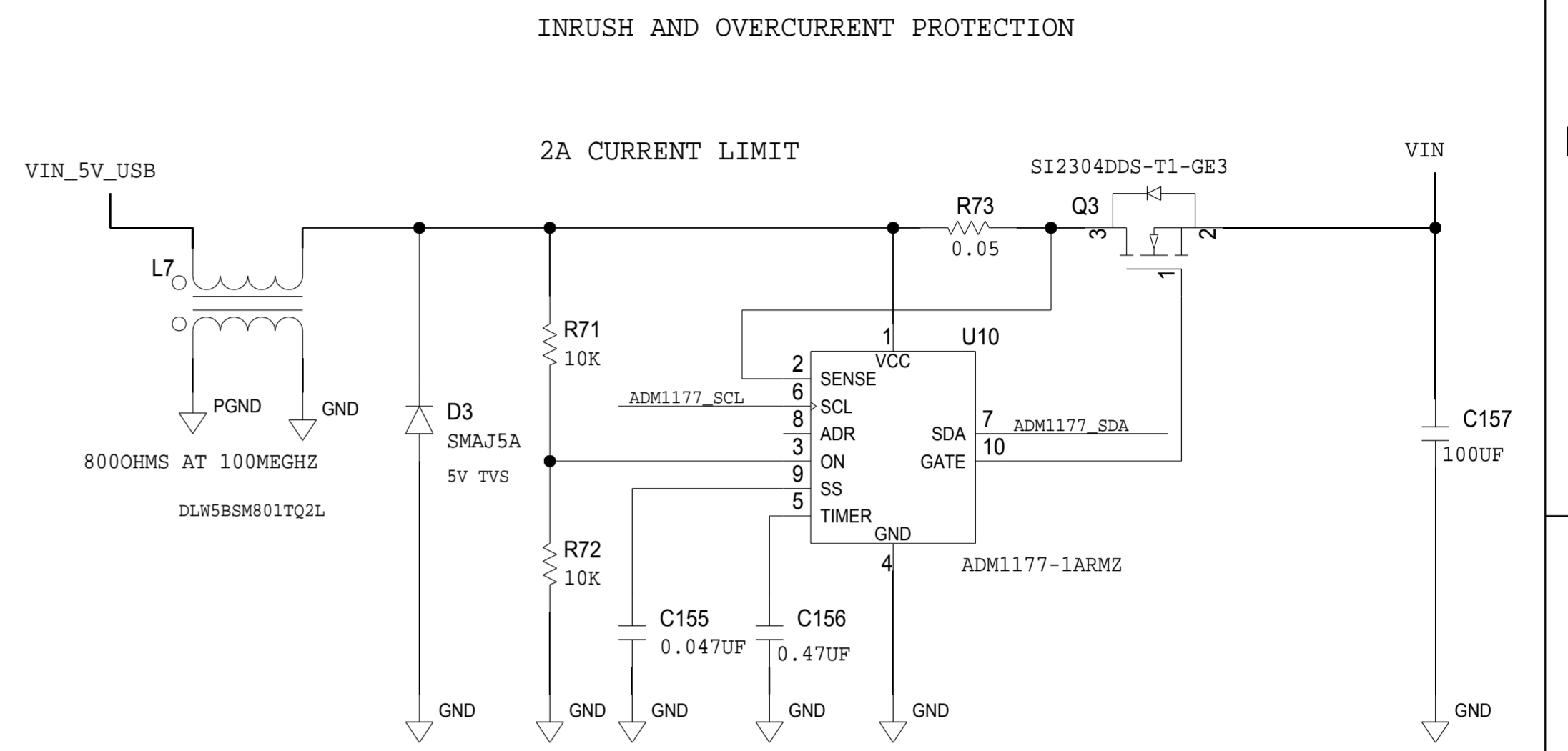
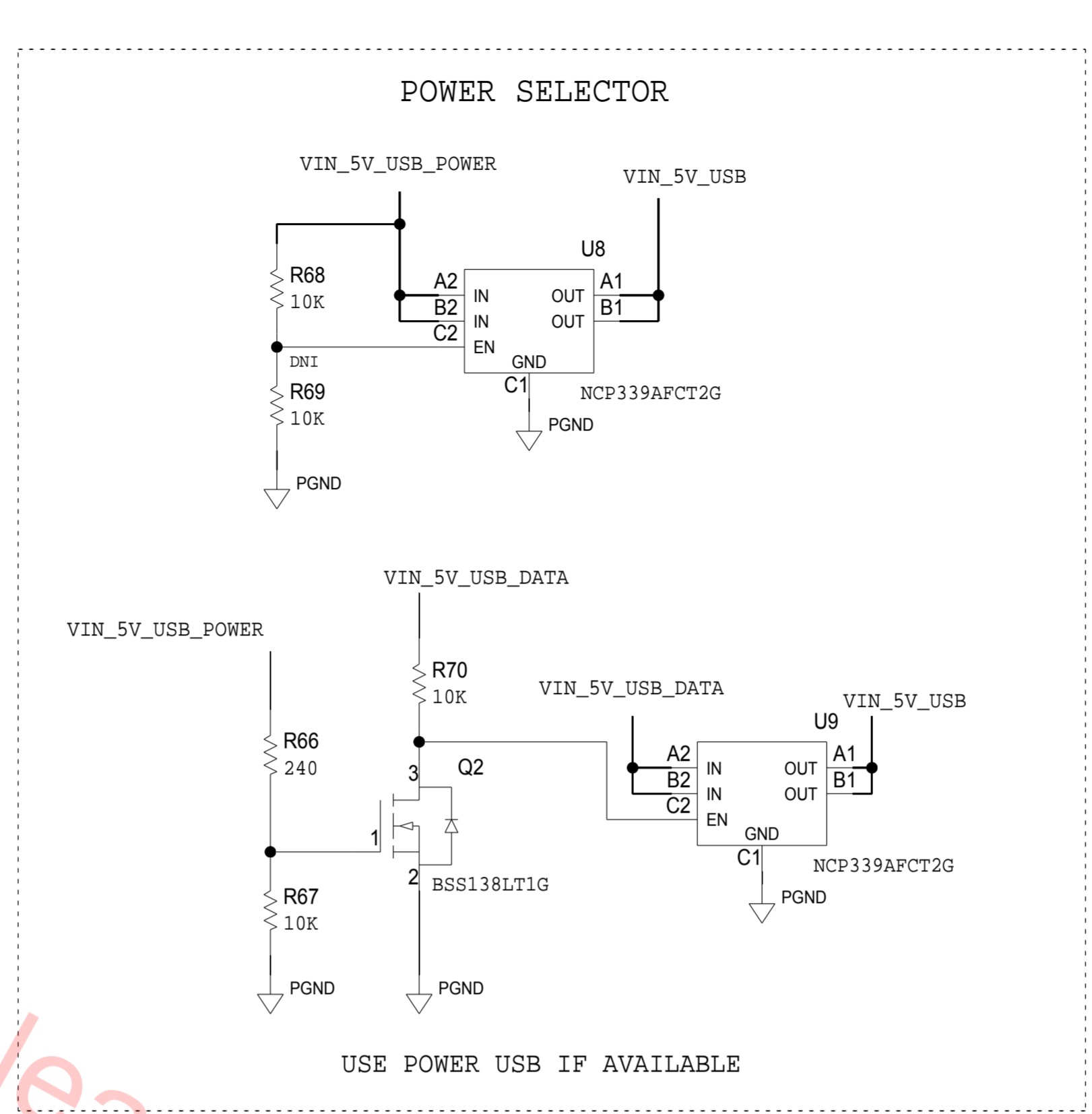
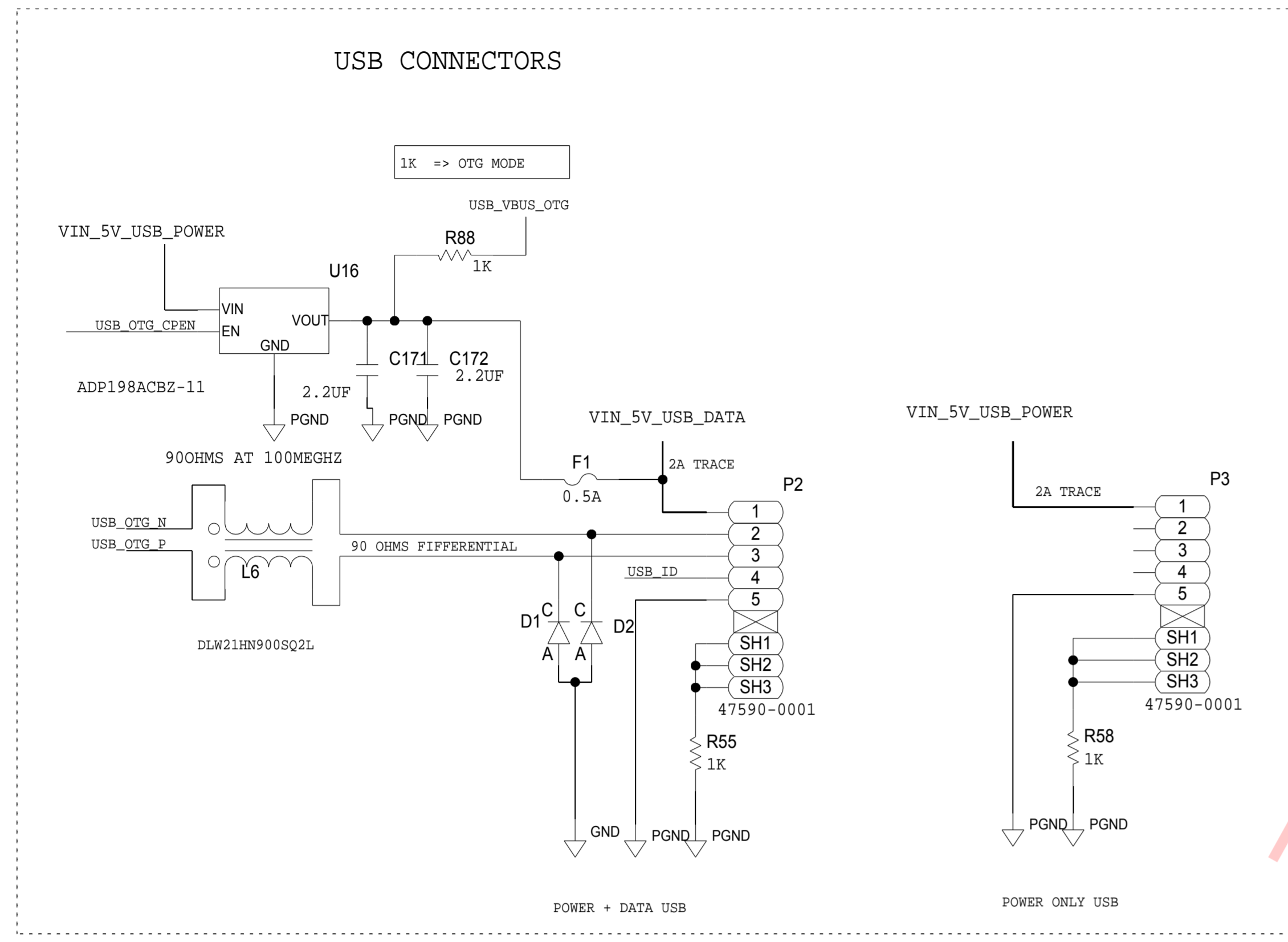
Release to Production

SCHEMATIC			
		HW TYPE : Customer Evaluation Z Product(s) : ad9363 : NA	
DESIGN VIEW	<DESIGN_VIEW>	DRAWING NO.	REV
PTD ENGINEER	M. BANCISOR	02_043758	B
SIZE	SCALE	SHEET	OF
D	1:1	7	9

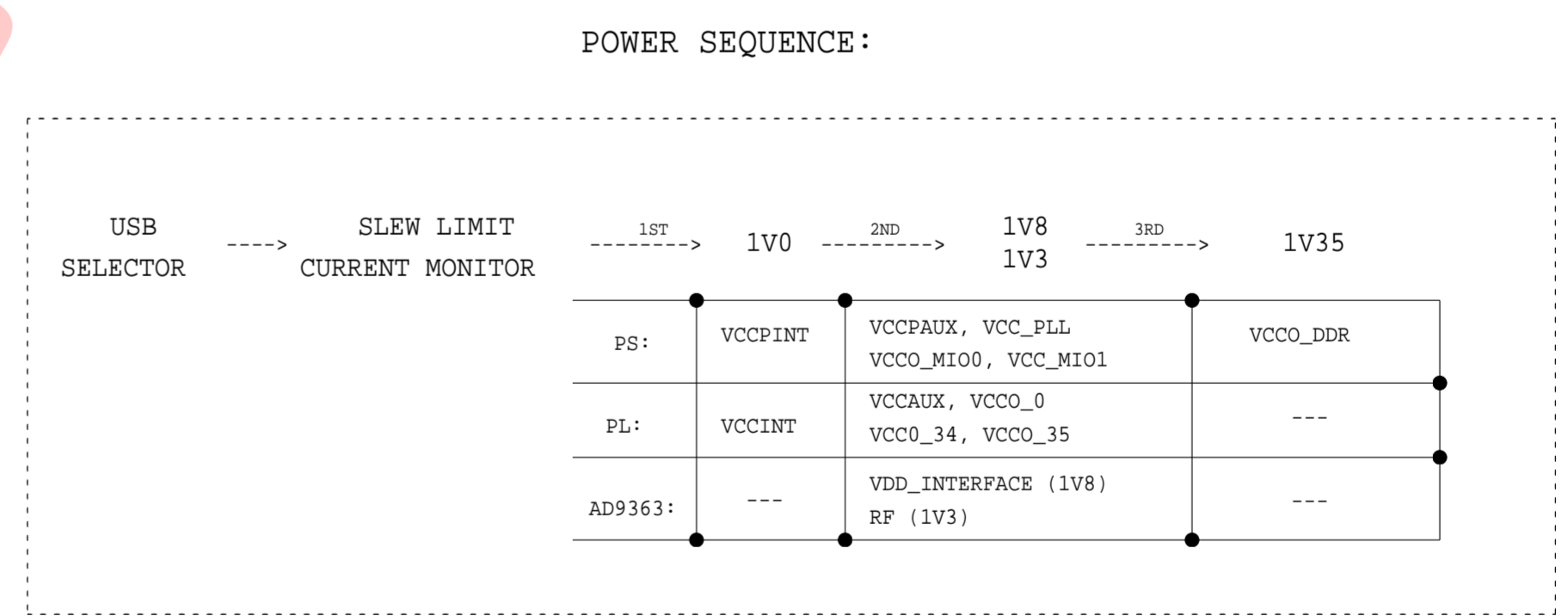
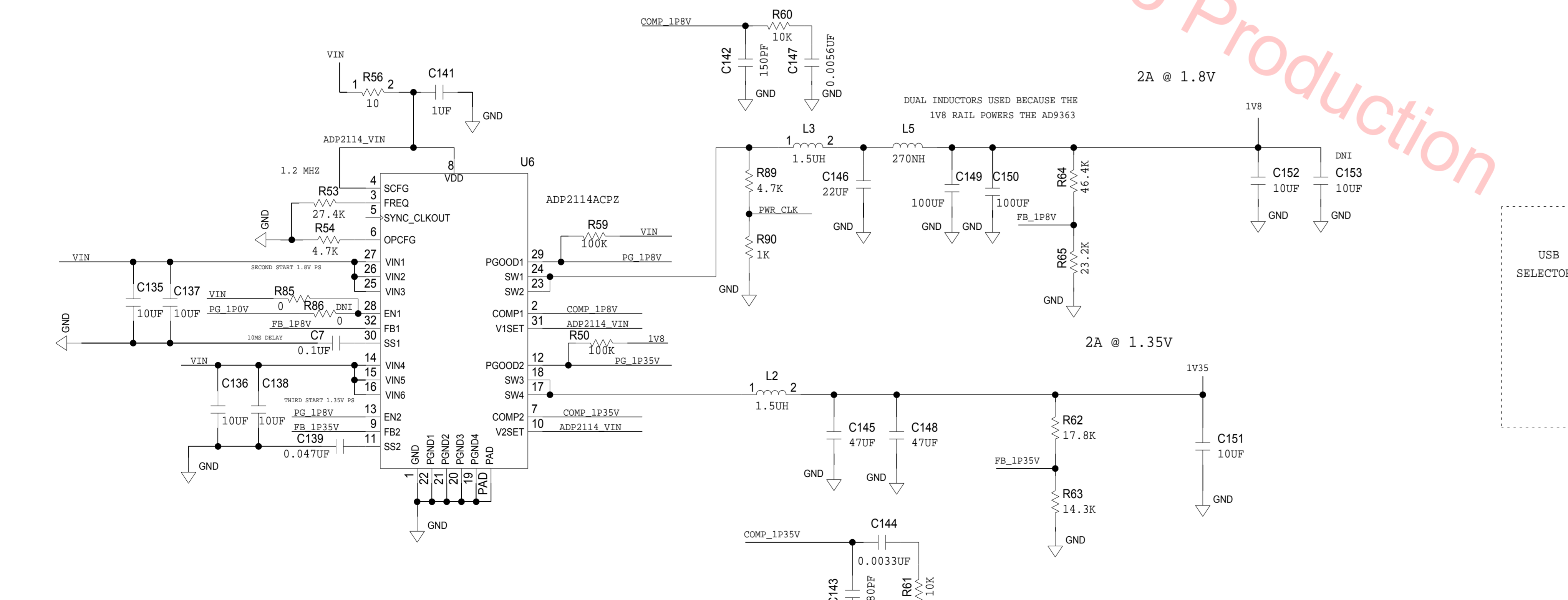
THIS DRAWING IS THE PROPERTY OF ANALOG DEVICES INC. IT IS NOT TO BE REPRODUCED OR COPIED, IN WHOLE OR IN PART, OR USED IN FURNISHING INFORMATION TO OTHERS, OR FOR ANY OTHER PURPOSE DECIMANTAL TO THE INTERESTS OF ANALOG DEVICES. THE EQUIPMENT SHOWN HEREIN MAY BE PROTECTED BY PATENTS OWNED OR CONTROLLED BY ANALOG DEVICES.

POWER MANAGEMENT SECTION

REVISIONS			
REV	DESCRIPTION	DATE	APPROVED



Release to Production

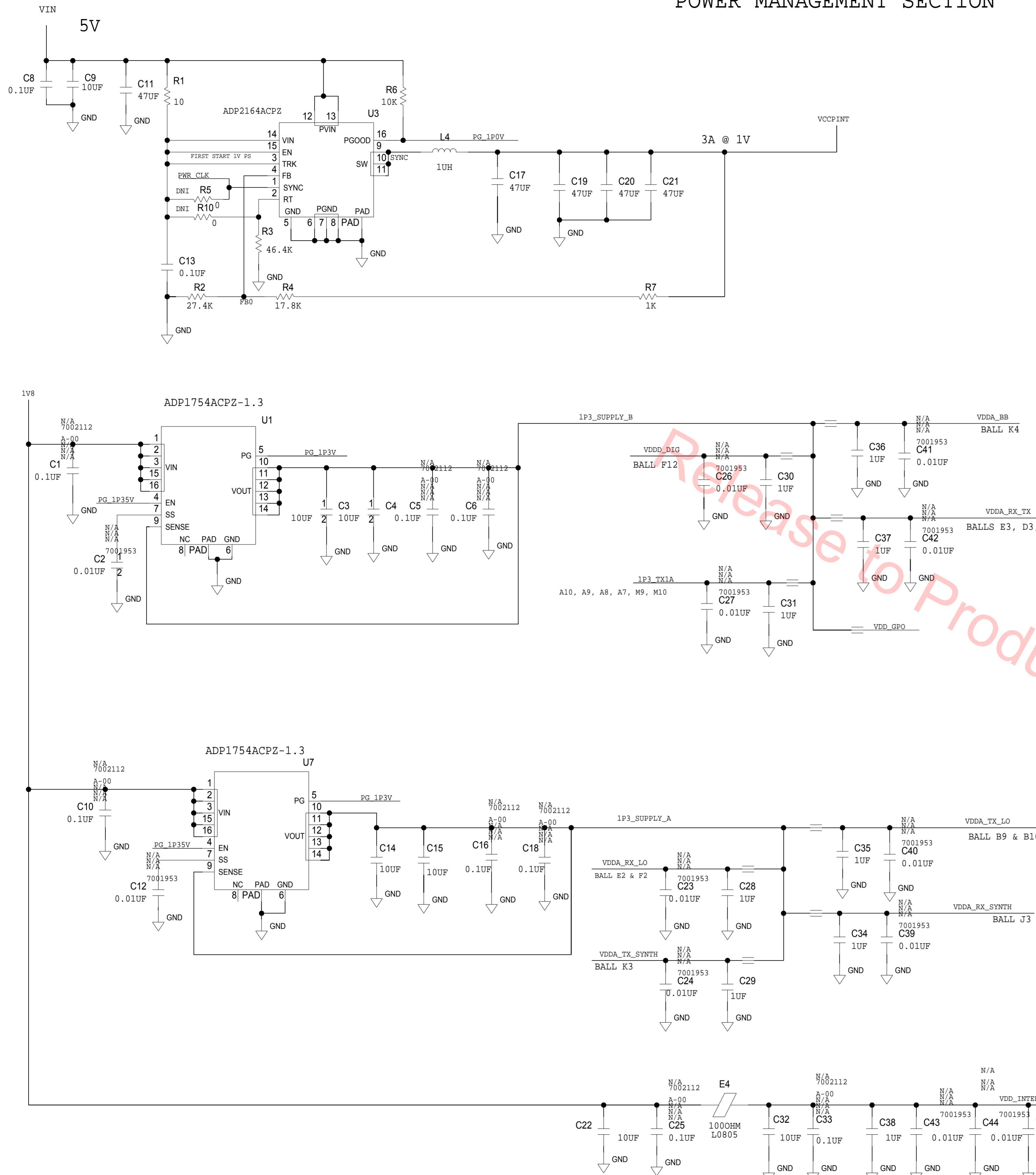


	INSERT:	REMOVE:
SYNCHRONIZED SUPPLIES:	R85, R89, R90	R86, R5
INDEPENDENT SUPPLIES:	R86, R5	R85, R89, R90

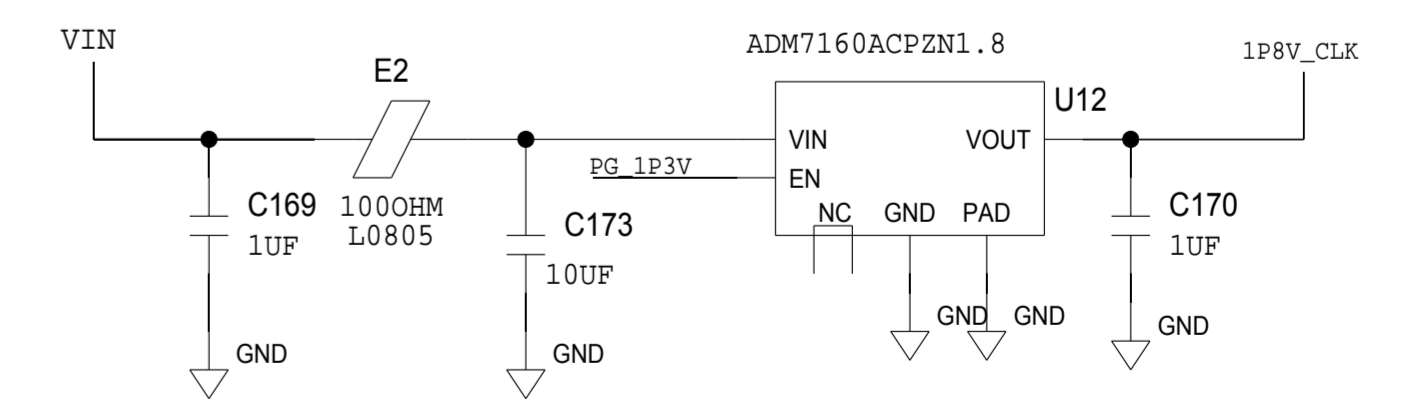
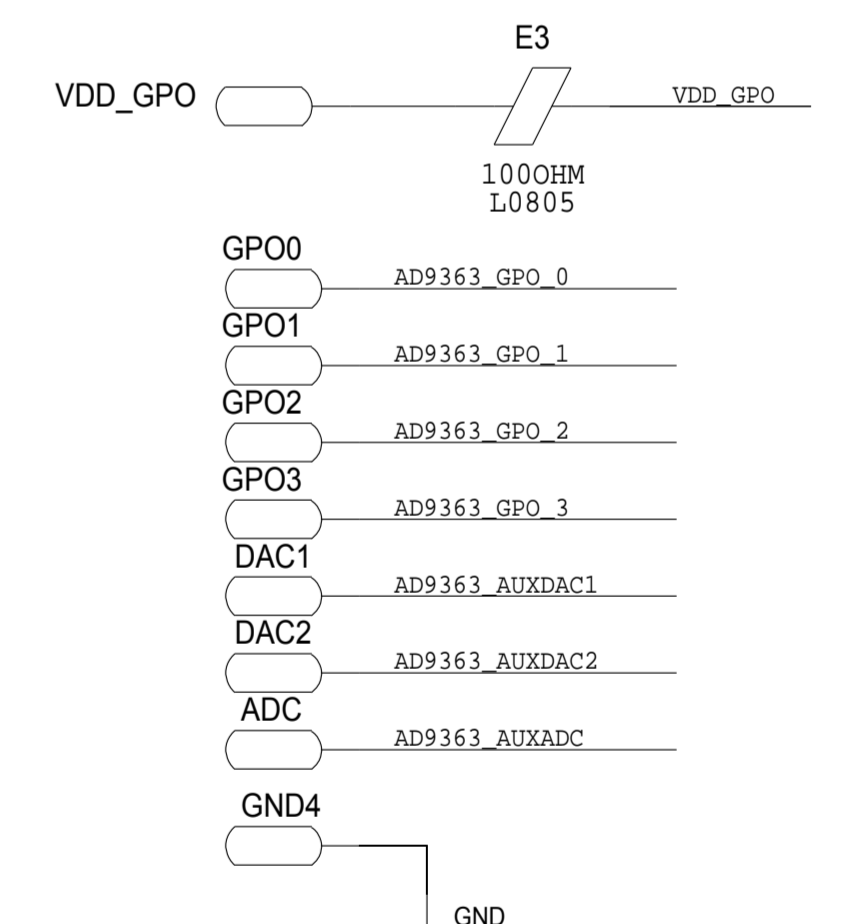
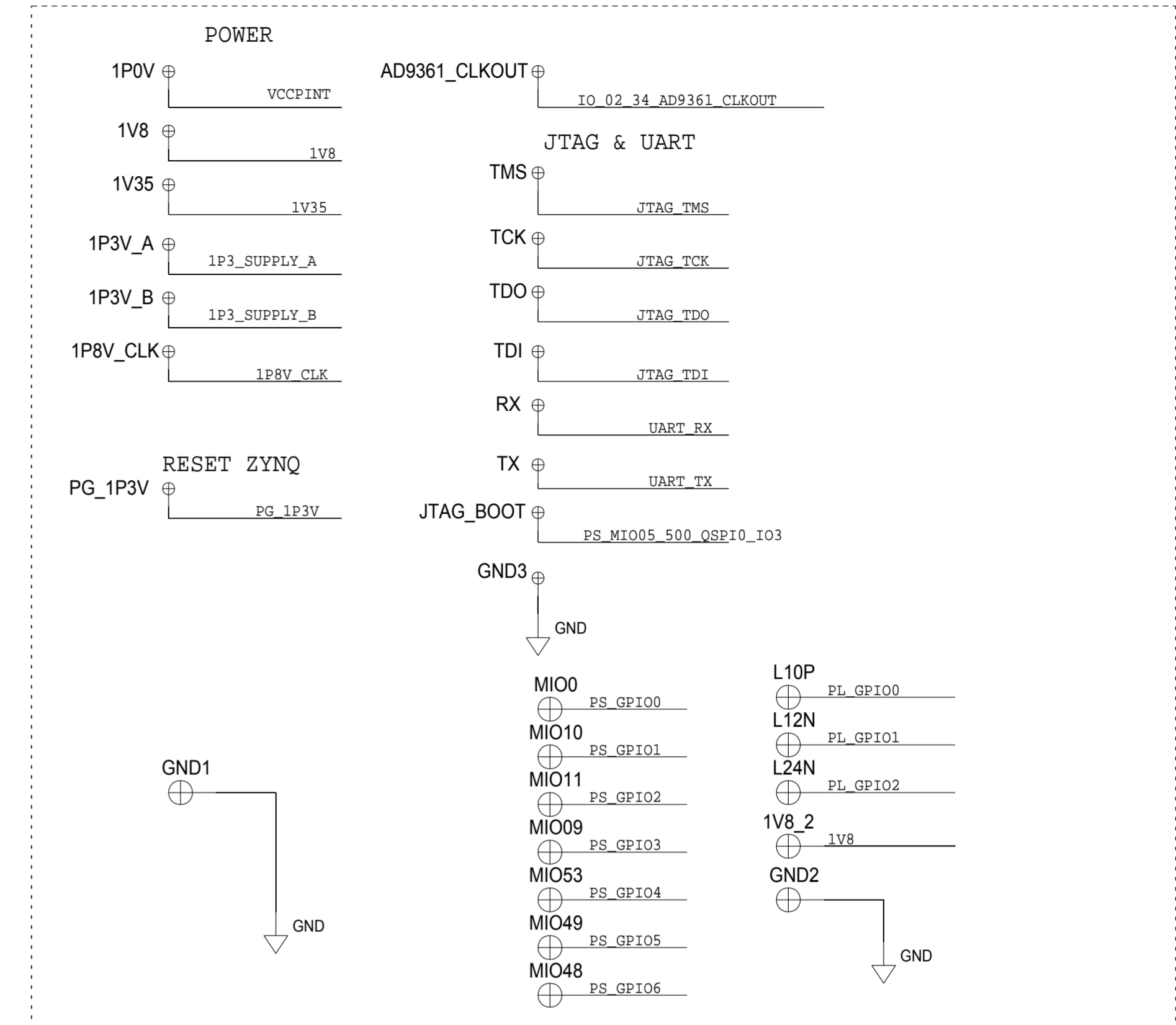
	SCHEMATIC		
	HW TYPE : Customer Evaluation Z Product(s): ad9363 : NA		
DESIGN VIEW <DESIGN_VIEW>	DRAWING NO. 02_043758	REV B	
PTD ENGINEER M. BANCISOR	SIZE D	SCALE 1:1	SHEET 8 OF 9

POWER MANAGEMENT SECTION

REVISIONS			
REV	DESCRIPTION	DATE	APPROVED



TEST PADS



ANALOG DEVICES		SCHEMATIC		
<small>THIS DRAWING IS THE PROPERTY OF ANALOG DEVICES INC. IT IS NOT TO BE REPRODUCED OR COPIED, IN WHOLE OR IN PART, OR USED FOR ANY OTHER PURPOSES DETRIMENTAL TO THE INTERESTS OF ANALOG DEVICES. THE EQUIPMENT SHOWN HEREIN MAY BE PROTECTED BY PATENTS OWNED OR CONTROLLED BY ANALOG DEVICES.</small>		HW TYPE : Customer Evaluation Z		REV B
		Product(s) : ad9363		
DESIGN VIEW <DESIGN_VIEW>		DRAWING NO. 02_043758	SIZE D	
PTD ENGINEER M. BANCISOR		SCALE 1:1	SHEET 9 OF 9	